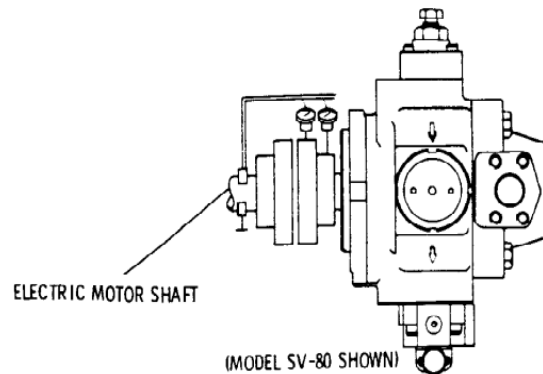


Racine PSV Start up Procedure

1. Before mounting the unit to any fixture or foot bracket spin the shaft by hand in the direction of rotation to make sure it spins freely.
2. When installing the pump proper alignment and spacing of both couplings must be achieved. The picture illustrates one way of aligning the coupling with a space of roughly $1/8''$ between both coupling faces and a .003 full indicator movement of motor shaft.



3. Once the pump has been properly installed and if the system is not equipped with an air bleed valve the outlet line should be left a little loose to purge any air from the pump.
4. Jog the motor checking the outlet side of the pump to make sure any air has been purged out and the unit has picked up a prime. Once the unit has picked up a prime the outlet line can be tightened.
5. After the pump has picked up a prime and all the connections tightened jog the pump a few more times to make sure the unit has been properly primed and is still full of oil.
6. Start the pump and back down the main pressure adjustment on the unit. Let it run for a short time to make sure it is fully operating. Once this has been done cycle the system so the pump compensates and purges the rest of the air from the unit.
7. The pump should be fully operational and the main pressure adjustment on the unit adjusted back up to the system pressure needed.