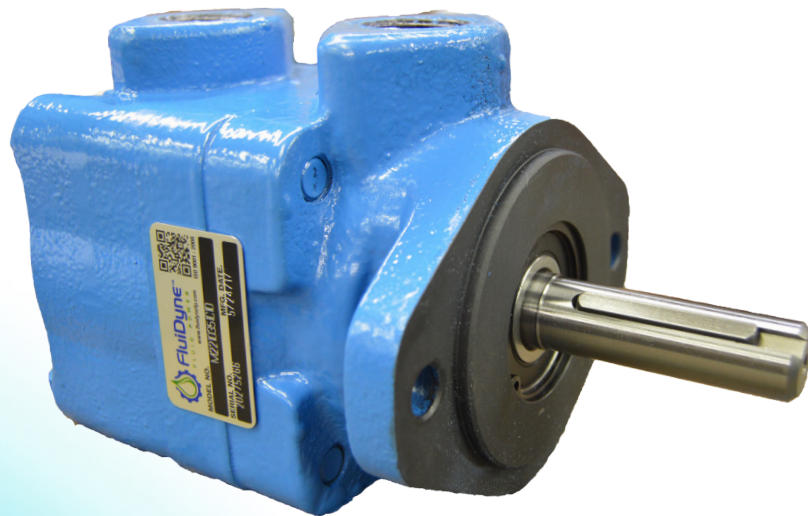




FluidDyne™
FLUID POWER

Balanced Vane Motors M2-200

- Speeds to 2200 rpm at Maximum Pressure
- Same Day Shipments of Units or Part Orders
- Interchangeable Parts
- Fully Tested



www.FluidDyneFP.com

M2-200 Series

Features and Benefits

Characteristics

These motors are not only compact and efficient, but they have the ability to provide variable speed, variable horsepower, and constant torque. They also remain undamaged when installed under load (if they are protected by a relief valve).

Low-Wear Design

The design of the diametrically opposed inlet and outlet chambers removes bearing loads resulting from pressure. This type of bearing load is a leading cause of bearing damage in models without this design feature.

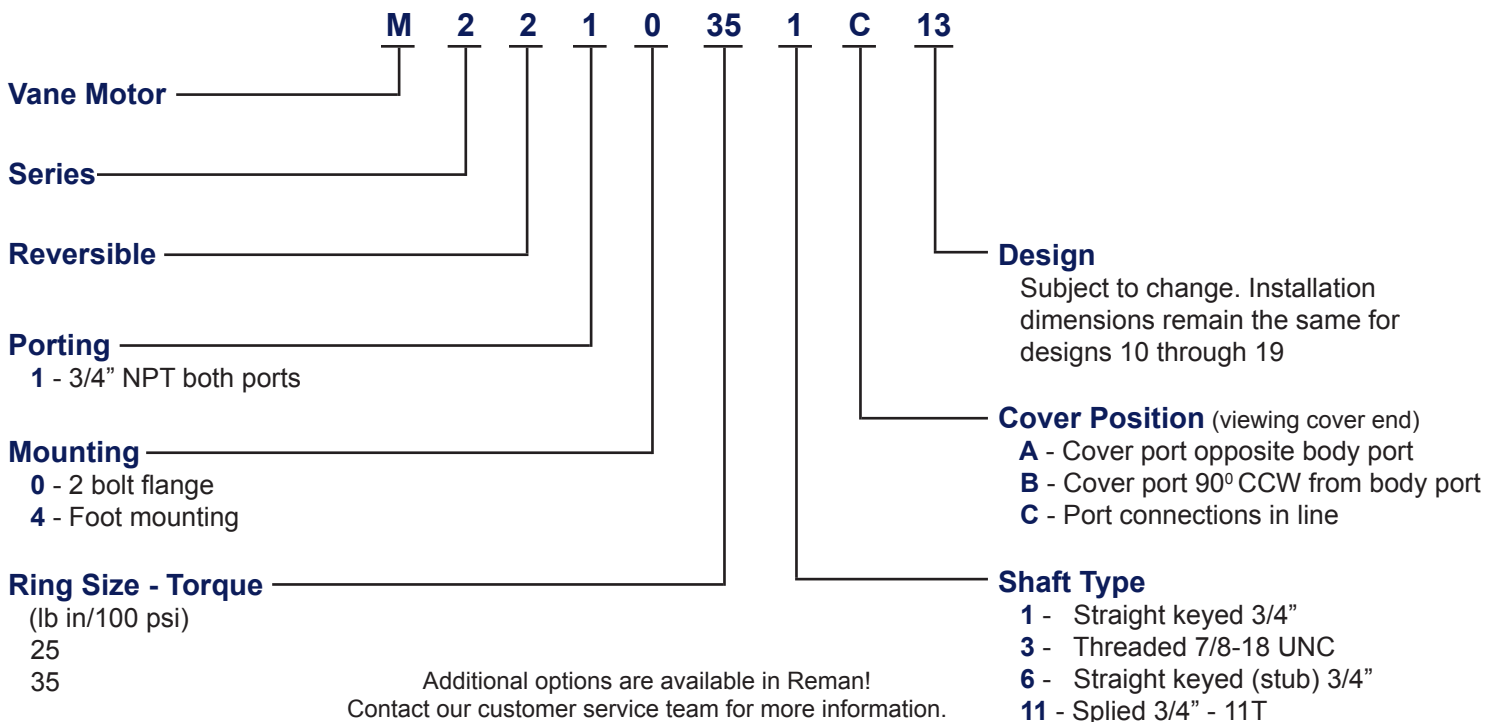
Installation Flexibility

Because the position of the motor's cover can be changed and assembled relative to the body, it enables optimum positioning for connective piping. Removing the four cover bolts and rotating the cover to the desired location will change the respective location of the ports.

Specifications

Model	Torque Nm/6.9 bar (lb in/100 psi)	Displacement cm ³ /r (in ³ /r)	Max Speeds & Pressure	Approx Weight
M2-200	2.8 (25)	24.7 (1.51)	2200 r/min @ 2000 psi	21 lbs
	4.0 (35)	35.4 (2.16)	1800 r/min @ 1750 psi	

Model Code Breakdown



Your Trusted Choice for Motors!

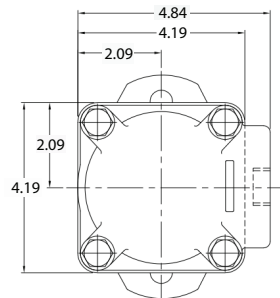
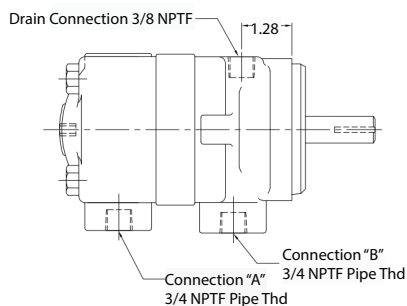
M2-200 Series

Technical Data

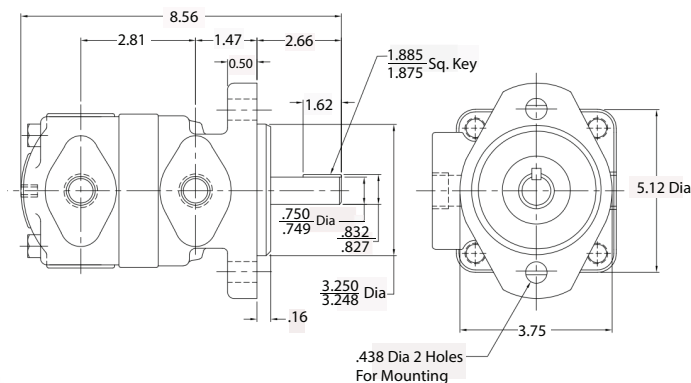
Dimensions in Inches

Oil supplied in port "A" turns shaft clockwise as viewed from mounting face

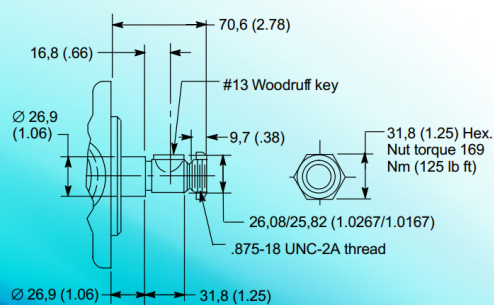
Oil supplied in port "B" turns shaft counterclockwise as viewed from mounting face



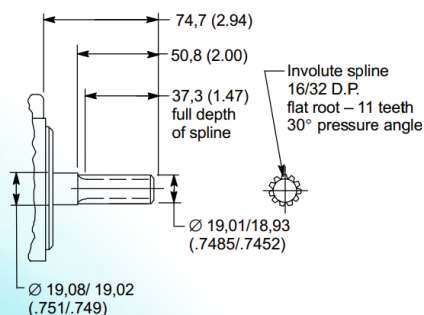
No. 1 Straight Shaft



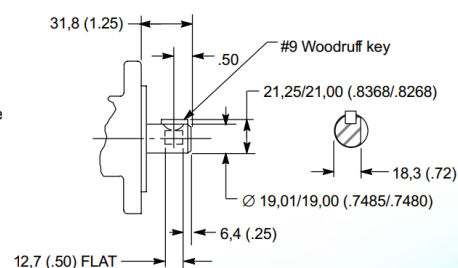
No. 3 Threaded Shaft



No. 11 Splined Shaft



No. 6 Straight Stub Shaft



FluidDyne supports the distributors providing local knowledge and assistance to fluid power customers.

Our people provide extensive support:

- Engineering Expertise
- Decoding special part numbers
- Identification of parts within units
- Advice on component repair and assembly
- Component failure analysis
- 18 month warranty
- New application component selection
- Same day shipment



Reman Units & Parts Available for Racine, Oilgear, Bosch, Continental and More!

**Powered by
Customer
Service!**

Call, email, chat...we're ready to help!



31915 Groesbeck Highway • Fraser, Michigan 48026
PH: 1-586-296-7200 • FAX: 1-586-296-7210
Email: sales@FluidDyneFP.com

www.FluidDyneFP.com

For most recent brochure, and information on our other products please visit www.fluiddynefp.com

