



FluidyneTM
FLUID POWER

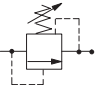
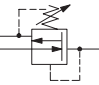
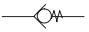
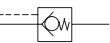
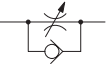
D03 Stack Valves



www.FluidyneFP.com

Table of Contents:

Fluidyne Modular Stack Valves D03 Size

Function	Basic Symbol	Basic Model	Features	Page
Relief		WFDGMC	Pilot operated relief	2-3
Reducing/Relieving		WFDGMX	Piloted from and reduced psi in port P, A, or B	4-5
Direct Check		WFDGMDC	Single check in any port; Dual check in ports A and B only	6-7
Pilot Operated Check		WFDGMPC	Single in port A or B; dual in ports A and B	8-9
Flow Restrictor		WFDGMFN	Single or dual port, meter-in or meter-out	10-11

Further information:

Mounting bolts

Pressure drop at other viscosities

Types H adjusters

Model	Weight (lb)
DGMC	2.9
DGMC2	5.5
DGMR (1)	2.9
DGMX	2.9
DGMDC	2.2
DGMPC	1.8
DCMFN	2.2



Relief Valve

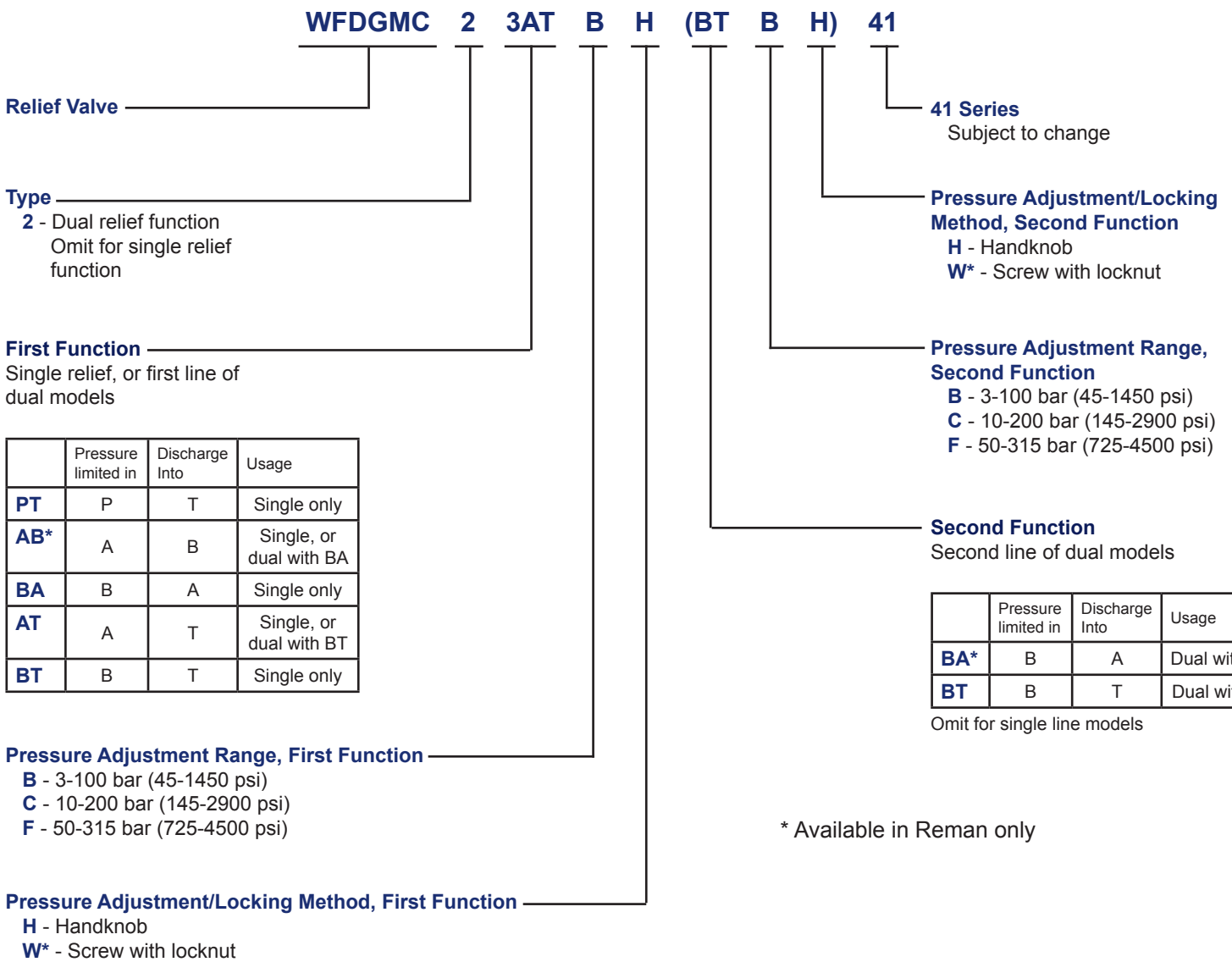
WFDGMC3 41 & WFDGMC23 41

40 mm Stack Height
D03 Mounting

Removeable Hand Knob
18 Month Warranty

The pressure relief valve functions by relieving system pressure from the A, B, or P line to the T line. The pressure can be adjusted on the valve by the use of hand knobs.

Model Code Breakdown

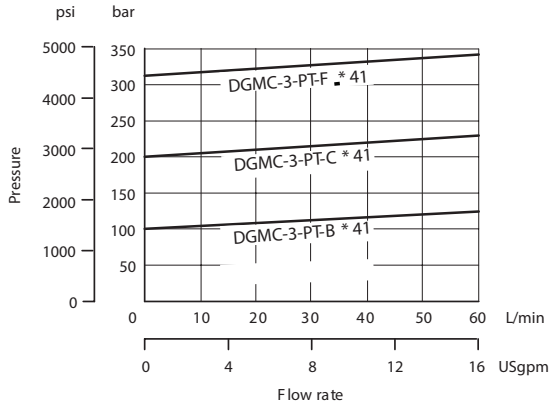


Relief Valve

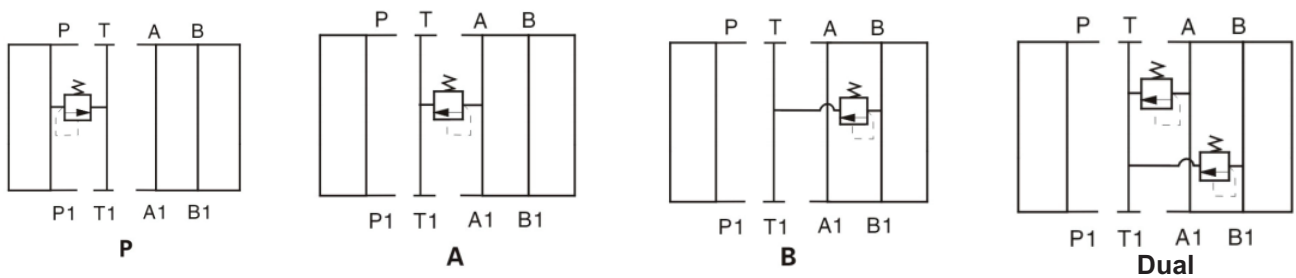
WFDGMC3 41

Performance Characteristics

Typical performance with mineral oil at 21 cSt (102 SUS) and at 50° C (122° F)

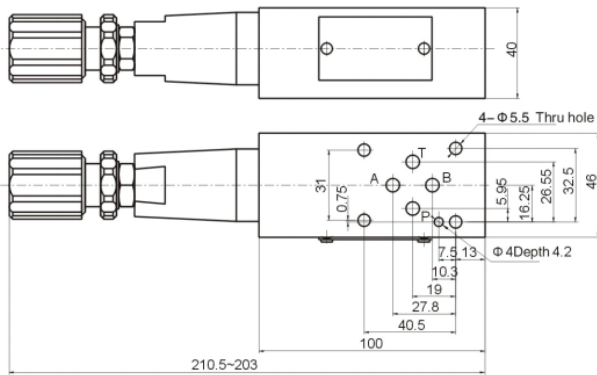


Operation

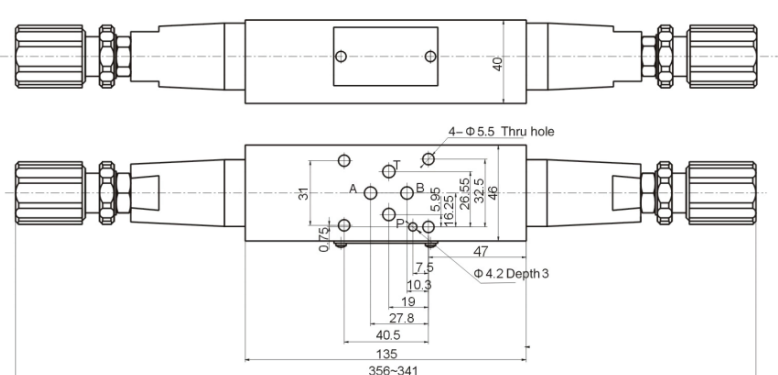


Dimensions (inches)

Single Relief Function



Dual Relief Function



Pressure Reducing Valve

WFDGMX23 40

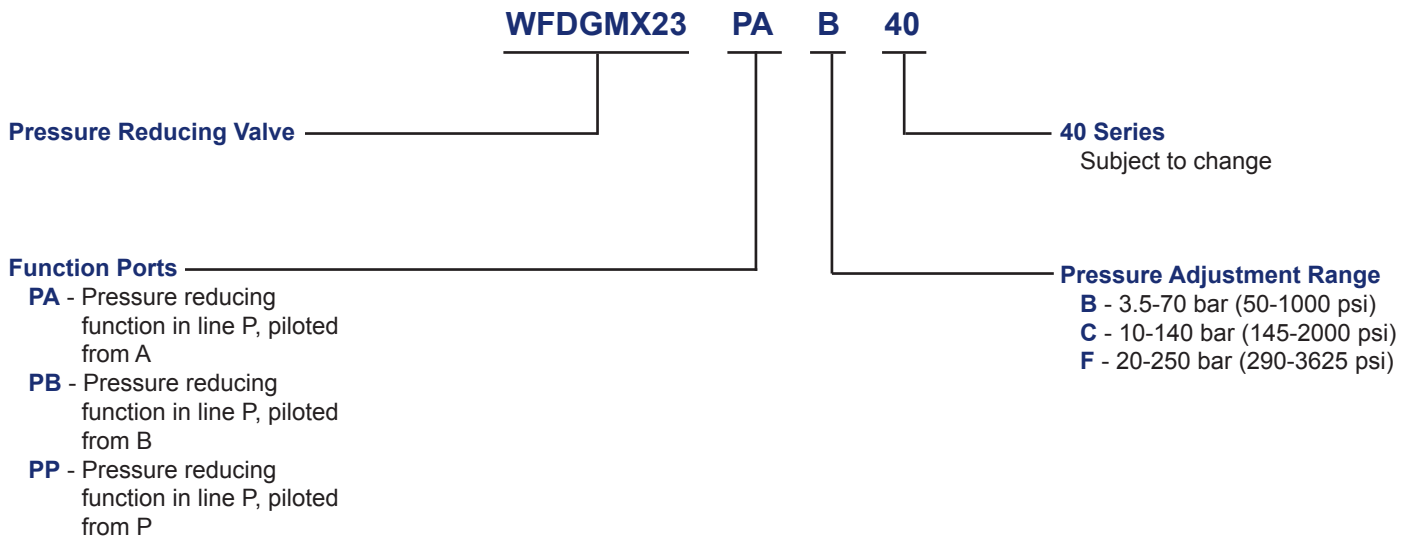
40 mm Stack Height
D03 Mounting

Removeable Hand Knob
18 Month Warranty

Pressure reducing valves maintain a reduced outlet pressure regardless of inlet pressures. Pressure is reduced in “P” and is adjustable with the handknob.

The flow path of the pressure reducing valve is normally open, but if the pilot pressure is greater than the pressure setting on the valve, the spring will close the valve.

Model Code Breakdown

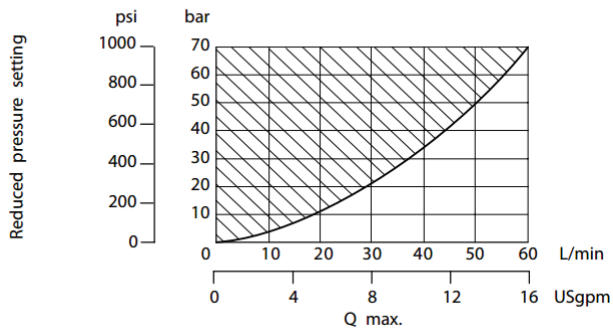


Pressure Reducing Valve

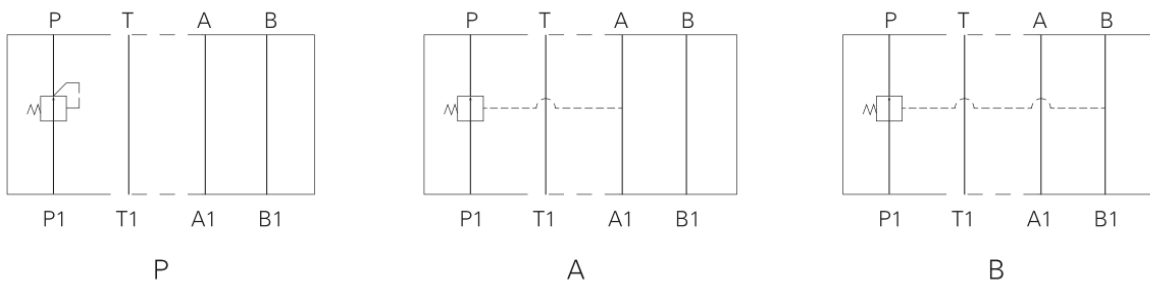
WFDGMX23 40

Performance Characteristics

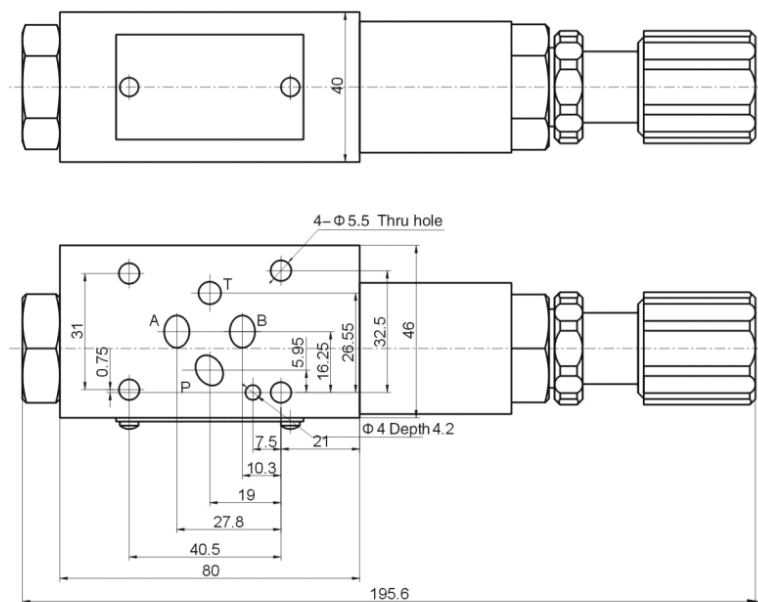
DGMX*-3-P* Low Pressure/Flow Rate Minimum Performance



Operation



Dimensions (inches)



Direct Check Valves

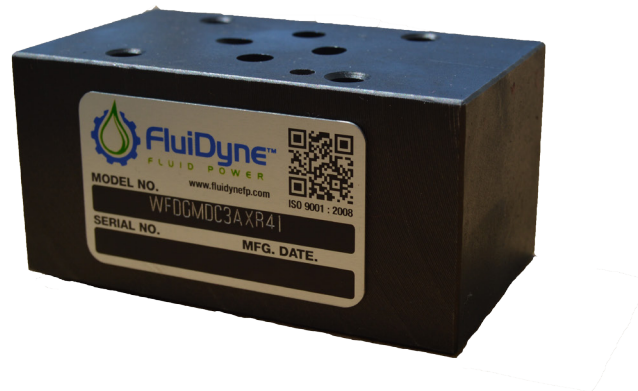
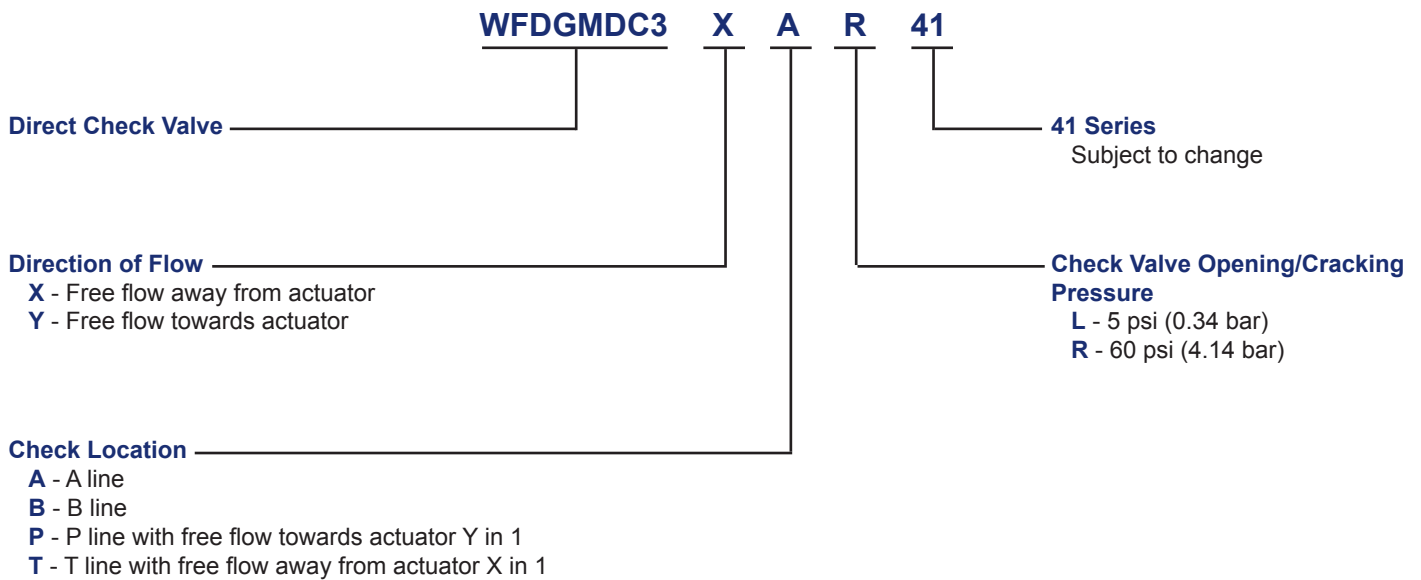
WFDGMDC3 41

40 mm Stack Height
D03 Mounting

Same Day Shipments
18 Month Warranty

These valves enable free flow in one direction but restrict flow in the opposite direction.

Model Code Breakdown



Call, Email or LiveChat Today!

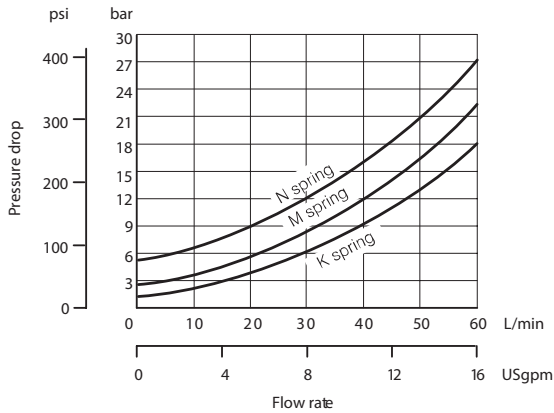
Direct Check Valve

WFDGMDC3 41

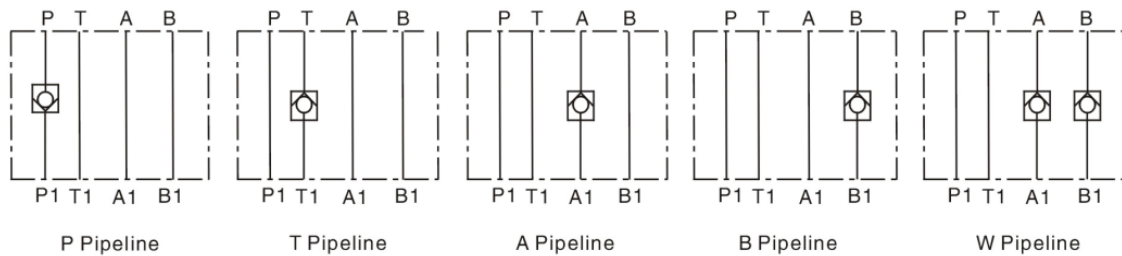
Performance Characteristics

Internal Leakage Across Closed Check Valve: Less than 0.25 ml/min (0.015 in³/min) at 250 bar (3625 psi)

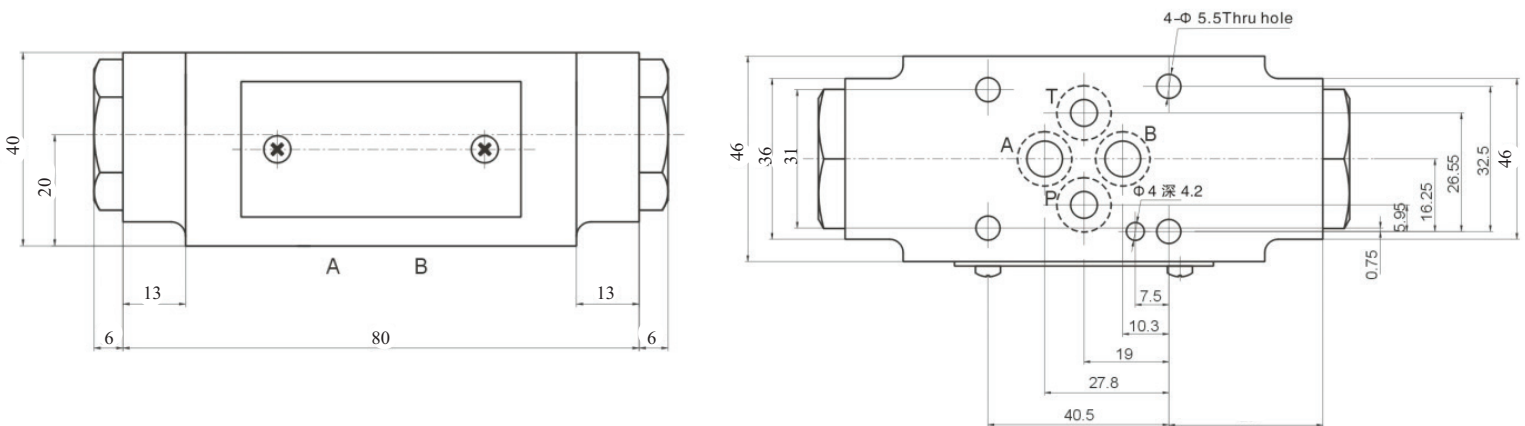
Typical performance with mineral oil at 21 cSt (102 SUS) and at 50°C (122°F). Pressure drop: free flow through check valve.



Operation



Dimensions (inches)



Pilot Operated Check Valve

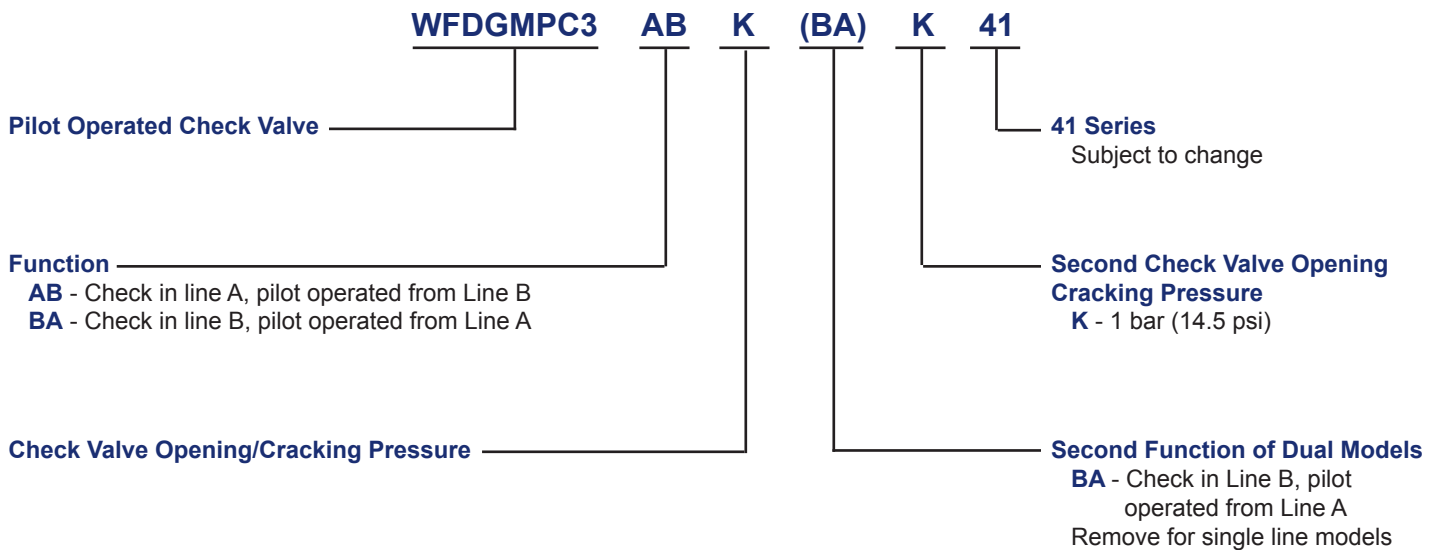
WFDGMPC3 41

40 mm Stack Height
D03 Mounting

14.5 psi (1 bar) Cracking Pressure
18 Month Warranty

These valves enable flow through one or both service lines A or B, and allow the flow to travel the opposite direction through the other service line using a pilot operated check. If there is pressure in one service line, the check valve will be open on the other service line.

Model Code Breakdown



31915 Groesbeck Hwy - Fraser, MI 48026

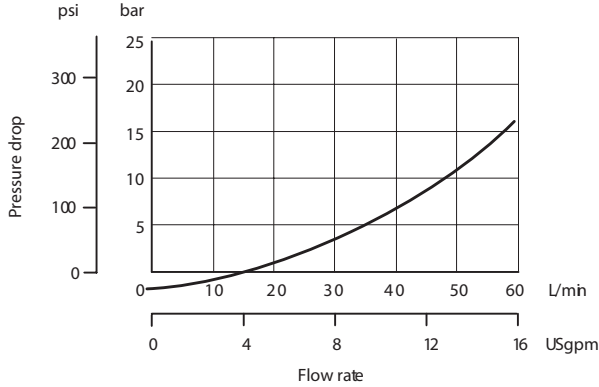
Pilot Operated Check Valve

WFDGMPC3 41

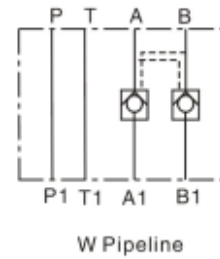
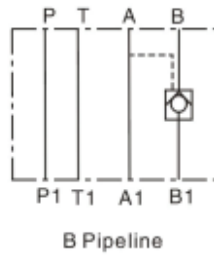
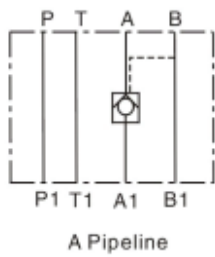
Performance Characteristics

Pressure Drop Data. Typical performance with mineral oil at 21 cSt (102 SUS) and at 50°C (122°F).

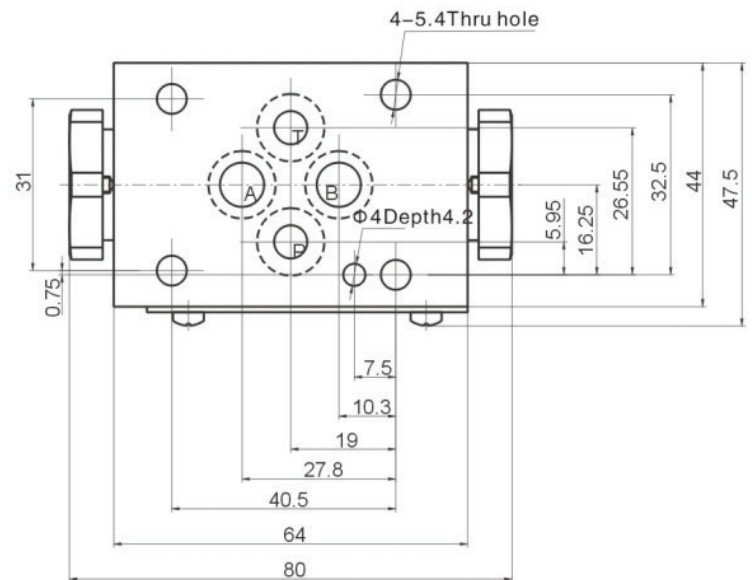
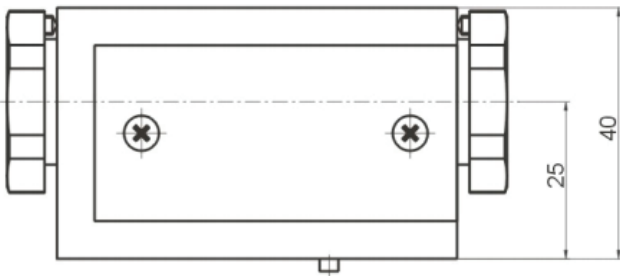
Pressure drop: flow path A to A1, or B to B1 with check valve pilot-operated fully open.



Operation



Dimensions



Flow Control Valve

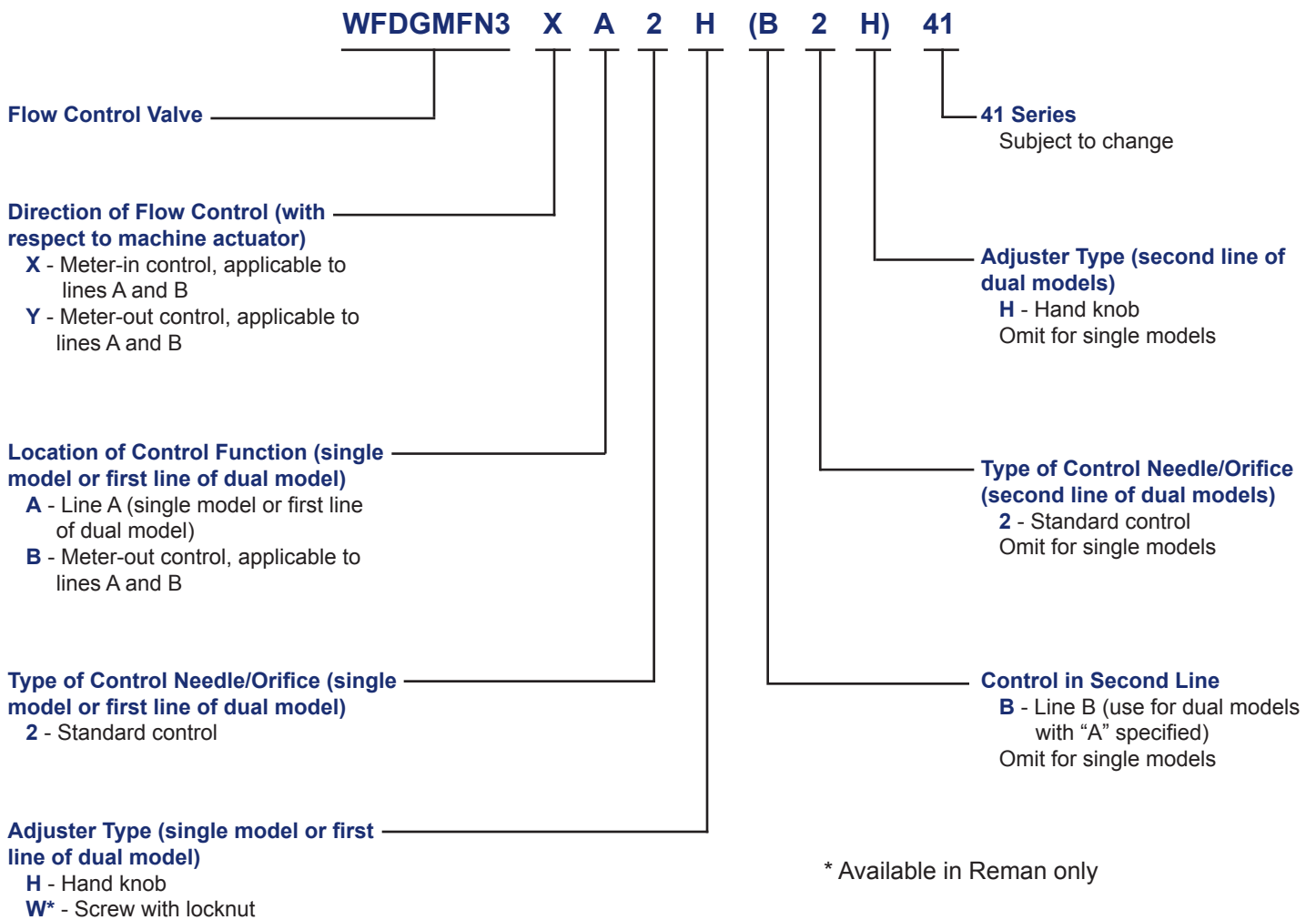
WFDGMFN3 41

40 mm Stack Height
D03 Mounting

Removeable Hand Knob(s)
18 Month Warranty

These valves control flow by using an adjustable orifice that is not pressure compensated. They enable meter-in or meter-out control.

Model Code Breakdown



Further Information

Mounting Bolts:

The length of mounting bolt used to install a FluidDyne Fluid Power assembly is dependent on how many valves are being utilized.

D03 Bolt Kits:

FluidDyne Fluid Power offers certain selections of bolt kits. Use the following guide to determine your requirements:

Valve	Length	Kit #
Valve only	1.75" (44.45 mm)	WFBK702500
Valve + 1 modules	3.5" (88.9 mm)	WFBK702501
Valve + 2 modules	5" (127 mm)	WFBK702502
Valve + 3 modules	6.5" (165.10 mm)	WFBK702503

Type H Adjuster:

Valve settings can be adjusted by loosening the M4 locking screw, then rotating the hand knob to the desired location. The M4 locking screw should be re-tightened after adjusting. They are available on our WFDGMC-3, WFDGMFN-3, and WFDGMX-3.

Turn clockwise to increase pressure; counter-clockwise to decrease pressure.



31915 Groesbeck Highway • Fraser, Michigan 48026

PH: 1-586-296-7200 • FAX: 1-586-296-7210

Email: sales@FluidDyneFP.com

www.FluidDyneFP.com

