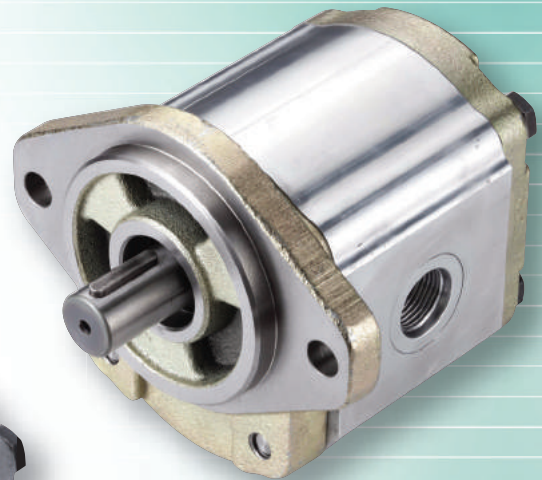
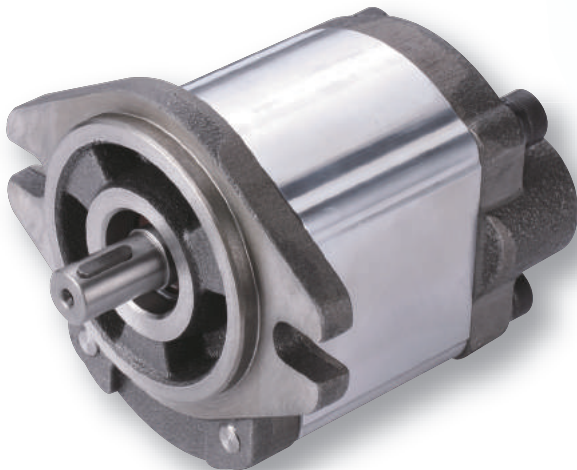
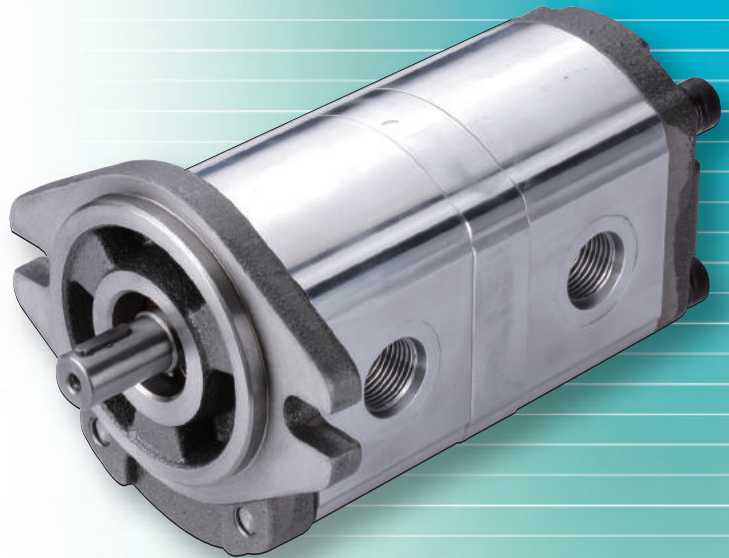




## Gear Pumps & Motors

- “AA”, “A”, “B” Mounting Flanges
- Aluminum Body with SAE Ports
- Cast Iron Face & End Flange
- Pressure to 3,500 PSI (continuous)
- Full Range of Displacements



## Our People Make the Difference

**Our promise at FluidDyne** is to provide the fluid power industry with high quality, fully tested and technically supported hydraulic pumps, motors and valves. We understand and value the local service and support provided by repair shops, resellers and distributors to the OEM's and users of fluid power applications. We do not compete with our customers; rather we work with our channels as partners in their success and to advance the technology of fluid power.

Our strength is our people. We focus on personal development and a long term commitment to our staff. We recognize knowledgeable people are a valuable part of the service a business organization provides. We stress a commitment to learning and customer support at every level of the FluidDyne organization. Accounting, Customer Service, Engineering, Inventory, Management, Manufacturing, Quality and Shipping all work together to serve our customer. We believe in treating everyone inside and outside the company with professionalism and respect.

Application and technical support for our products is easy to access, and we pride ourselves on not having a switchboard or phone tree. The person, who picks up the phone, helps the customer. We like it simple, we like it direct.

Our inventory is extensive and our people are skilled at assembly, modifications and testing. Our product leaves the factory fast (often the same day) and it leaves correct, tested and documented. If there is a mistake, we work hard to make it right, quickly and fairly.

**Please call or email to learn more about FluidDyne. Our products and people make us special.**

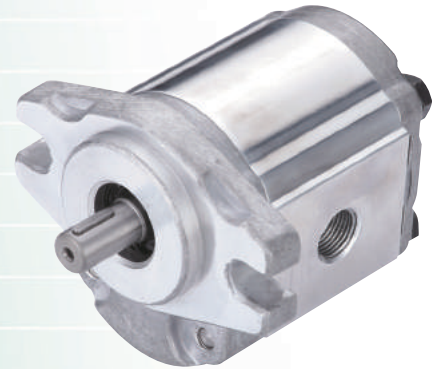
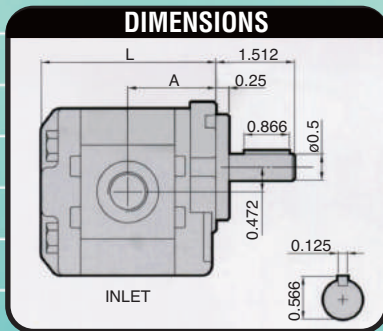
- 18 month warranty
- Blind drop shipments
- Custom proprietary software allows immediate & accurate technical support, quoting, order entry & bill of material information
- Extensive Michigan inventory
- ISO Certified 9001:2008
- New FluidDyne and remanufactured products
- Outstanding customer service
- Performance you have come to expect
- Same day shipments
- Standard & modified products
- Multiple test stands which allow for quick 100% testing of all units shipped





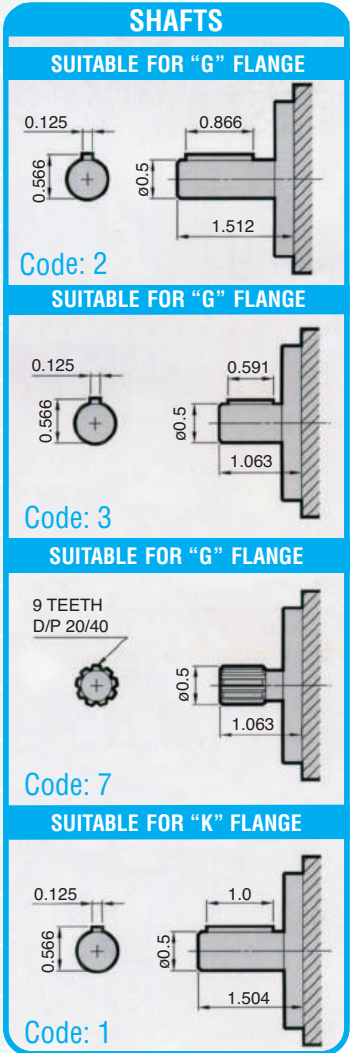
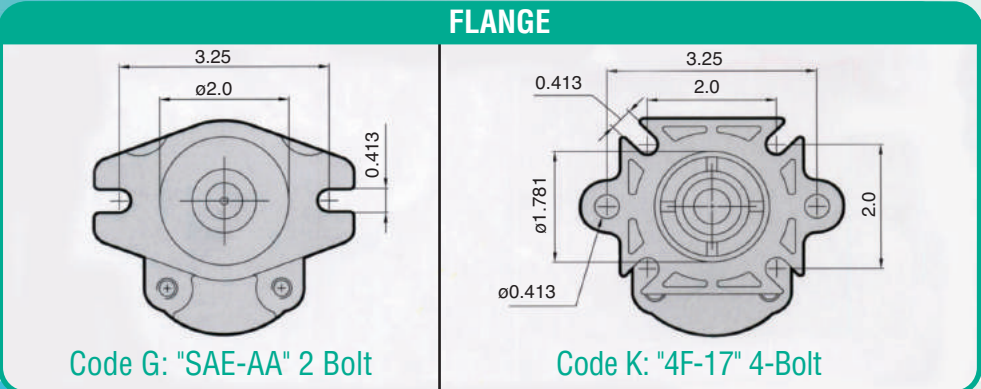
# “AA” Flange Single Gear Pumps

Rated to: 3000 psi, 9 gpm



**ORDERING EXAMPLE**

Example: WF    1    A    G    2    U       — (R) CW  
Series    Type    Flange Code    Shaft Code    Port Code    Displ.    Rotation    (L) CCW



**PERFORMANCE DATA**

DISPL. CODE	DISPLACEMENT		PRESSURE (psi)		RPM RANGE	DIMENSIONS SUITABLE "G" MOUNTING FLANGES		WEIGHT		PORT code: U
	c.i.r.	cm3/r	Continuous	Max		A	L	Kg	LBS	
0S	0.04	0.6	3000	3600	600-4000	1.626	3.212	1.09	2.40	INLET UNF#8 3/4"-16 OUTLET UNF#6 9/16"-18
01	0.08	1.3	3000	3600		1.655	3.271	1.10	2.42	
02	0.12	2.0	3000	3600		1.694	3.350	1.14	2.51	
27	0.16	2.7	3000	3600		1.734	3.428	1.18	2.60	
35	0.21	3.4	3000	3600		1.773	3.507	1.21	2.66	
04	0.25	4.1	3000	3600		1.813	3.586	1.25	2.75	
05	0.31	5.1	3000	3600		1.872	3.704	1.30	2.86	
06	0.37	6.1	3000	3600		1.931	3.822	1.35	2.97	
07	0.45	7.4	2850	3300	600-2500	2.009	3.980	1.41	3.10	INLET UNF#10 7/8"-14 OUTLET UNF#8 3/4"-16
09	0.55	9.1	2850	2850		2.108	4.176	1.49	3.28	
11	0.67	11.0	2300	2550		2.226	4.412	1.58	3.48	
13	0.82	13.5	2300	2550		2.364	4.688	1.69	3.72	

# “A” Flange Double Gear Pumps

Rated to: 3000 psi, 14 gpm & 14 gpm

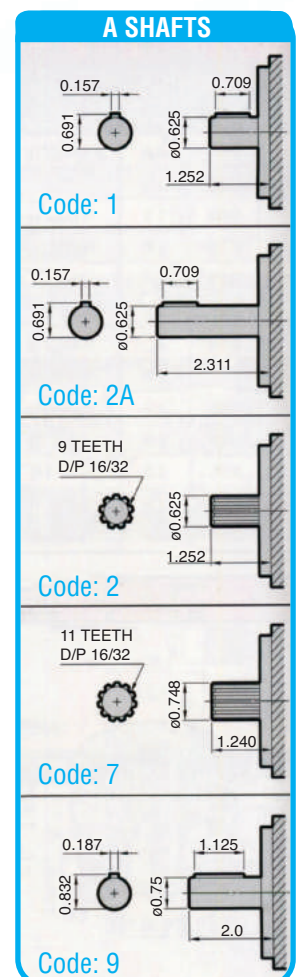
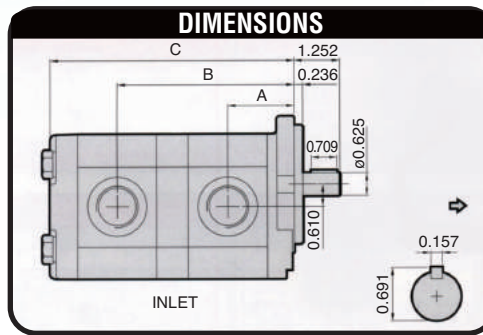
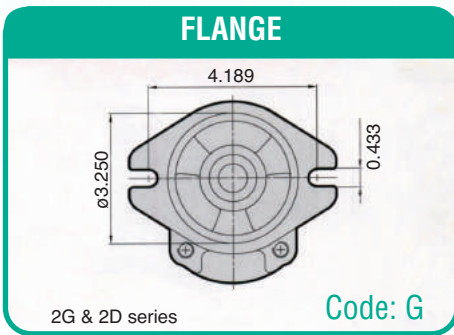


## ORDERING EXAMPLE

Example: WF 2 D G 1 A U 16 09 R — (R) CW (L) CCW

Series      Type      Mounting Flange      Shaft Code      Inlet Code      Port Code      Front Pump Displacement      Rear Pump Displacement      Rotation

A: Common Inlet  
B: Separate Inlet



## PERFORMANCE DATA

FRONT DISPL. CODE	DISPLACEMENT		PRESSURE	MAXIMUM SPEED RPM	DIMENSIONS		
	FRONT c.i.r.	REAR c.i.r.			A	B	C
0505	0.30	0.30	3000	3500	1.687	4.447	6.142
0705	0.43	0.30	3000	3500	1.746	4.565	6.260
0707	0.43	0.43	3000	3500	1.746	4.624	6.378
0905	0.58	0.30	3000	3500	1.825	4.723	6.418
0907	0.58	0.43	3000	3500	1.825	4.782	6.536
0909	0.58	0.58	3000	3500	1.825	4.860	6.693
1107	0.69	0.43	3000	3500	1.884	4.900	6.654
1109	0.69	0.58	3000	3500	1.884	4.978	6.811
1111	0.69	0.69	3000	3500	1.884	5.037	6.629
1407	0.85	0.43	3000	3500	1.963	5.057	6.811
1409	0.85	0.58	3000	3500	1.963	5.136	6.969
1411	0.85	0.69	3000	3500	1.963	5.195	7.087
1414	0.85	0.85	3000	3500	1.963	5.274	7.244
1607	0.98	0.43	3000	3500	2.022	5.175	6.929
1609	0.98	0.58	3000	3500	2.022	5.254	7.087
1611	0.98	0.69	3000	3500	2.022	5.313	7.205
1614	0.98	0.85	3000	3500	2.022	5.392	7.362
1616	0.98	0.98	3000	3500	2.022	5.490	7.481
1807	1.10	0.43	2550	2500	2.081	5.293	7.048
1809	1.10	0.58	2550	2500	2.081	5.372	7.205
1811	1.10	0.69	2550	2500	2.081	5.431	7.323
1814	1.10	0.85	2550	2500	2.081	5.510	7.481
1816	1.10	0.98	2550	2500	2.081	5.608	7.599
1818	1.10	1.10	2550	2500	2.081	5.628	7.717
2207	1.31	0.43	2550	2500	2.180	5.490	7.244
2209	1.31	0.58	2550	2500	2.180	5.569	7.402
2211	1.31	0.69	2550	2500	2.180	5.628	7.520
2214	1.31	0.85	2550	2500	2.180	5.707	7.677
2216	1.31	0.98	2550	2500	2.180	5.805	7.769
2218	1.31	1.10	2550	2500	2.180	5.825	7.914
2222	1.31	0.58	2550	2500	2.180	5.923	8.111

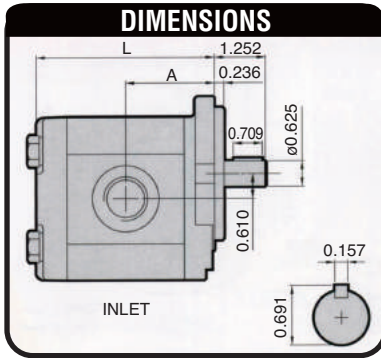


www.FluidyneFP.com

Other shafts and combinations are available; contact customer service.

# "A" Flange Single Gear Pumps

Rated to: 3500 psi, 23 gpm



## ORDERING EXAMPLE

Example: WF 2 G G 1 U (R) CW (L) CCW

Series Type Flange Code Shaft Code Port Code Displ. Rotation

**A SHAFTS**

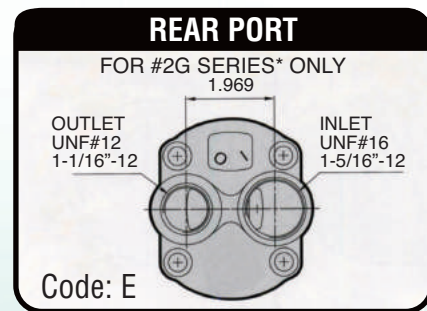
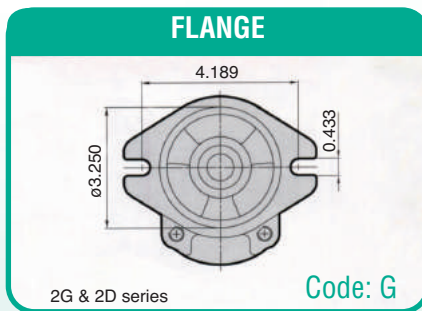
Code: 1

Code: 2A

Code: 2

Code: 7

Code: 9



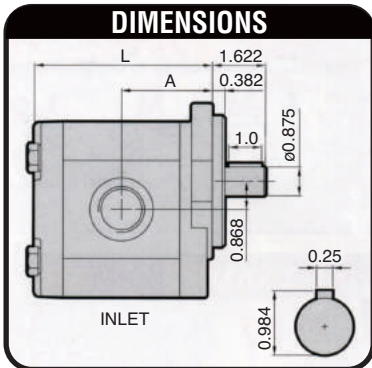
**PERFORMANCE DATA**

DISPL. CODE	DISPLACEMENT		PRESSURE (psi)		RPM RANGE	DIMENSIONS		WEIGHT		PORT code: U
	c.i.r.	cm3/r	Continuous	Max		A	L	Kg	LBS	
04	0.24	4.0	3500	4200	600-4000	1.658	3.433	3.23	7.11	INLET UNF#12 1-1/16"-12
05	0.30	5.0	3500	4200		1.687	3.493	3.27	7.19	
06	0.38	6.2	3500	4200		1.717	3.552	3.32	7.30	
07	0.43	7.0	3500	4200		1.746	3.611	3.36	7.39	
08	0.52	8.4	3500	4200		1.796	3.709	3.41	7.50	
09	0.58	9.5	3500	4200		1.825	3.768	3.45	7.59	
11	0.69	11.3	3500	4200		1.884	3.886	3.53	7.77	
14	0.85	14.0	3500	4200		1.963	4.044	3.64	8.01	
16	0.98	16.0	3500	4200		2.002	4.162	3.74	8.23	
18	1.10	18.0	3500	4200	2.081	4.280	3.80	8.36		
20	1.20	19.5	3300	3800	2.160	4.437	3.89	8.56	OUTLET UNF#10 7/8"-10	
22	1.31	21.5	3000	3500	2.180	4.447	3.96	8.71		
24	1.44	23.5	2550	3100	600-2500	2.258	4.634	4.01		8.82
26	1.53	25.0	2550	3100		2.317	4.752	4.10		9.02
28	1.71	28.0	2300	2700		2.396	4.910	4.19		9.22
30	1.84	30.0	2100	2550		2.475	5.067	4.30		9.46
33	2.02	33.0	2000	2300		2.554	5.225	4.41		9.70
						INLET UNF#16 1-5/16"-12		OUTLET UNF#12 1-1/16"-12		

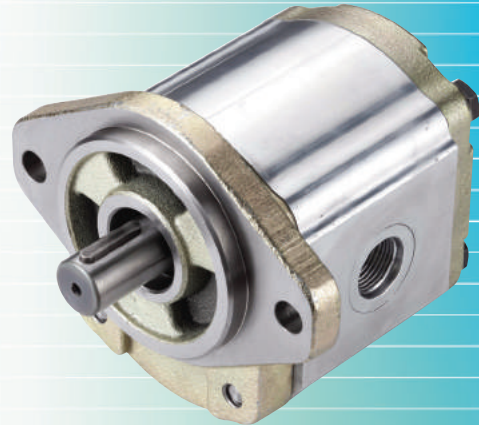


# "B" Flange Single Gear Pumps

Rated to: 3500 psi, 42 gpm



#6 shaft shown



## ORDERING EXAMPLE

Example: WF

3

Series

G

Type

B

Flange Code

6

Shaft Code

U1

Port Code



Displ.



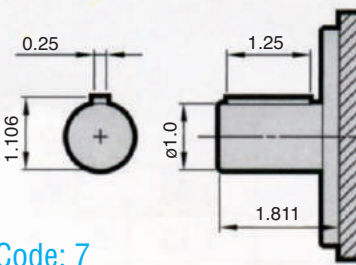
Rotation

(R) CW

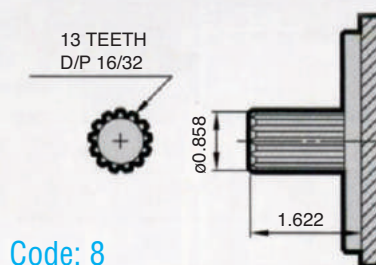
(L) CCW

Direction of Rotation: looking at shaft

## SHAFTS



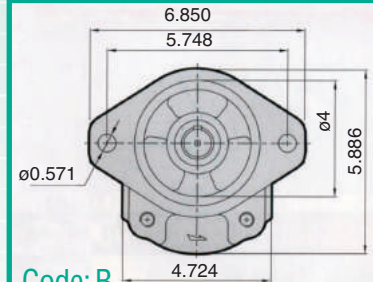
Code: 7



Code: 8

Other shafts are available; contact customer service.

## FLANGE



Code: B

SAE "B" mounting

## PERFORMANCE DATA

DISPL. CODE	DISPLACEMENT		PRESSURE (psi)		RPM RANGE	DIMENSIONS SUITABLE "B" MOUNTING FLANGES		WEIGHT		PORT	
	c.i.r.	cm <sup>3</sup> /r	Continuous	Max		A	L	Kg	LBS	INLET	OUTLET
23	1.40	23.0	3500	3800	3000	2.579	5.039	8.6	18.9	U1 UNF#16 1-5/16"-12	UNF#12 1-1/16"-12
25	1.52	25.0	3500	3800	3000	2.618	5.118	8.7	19.1		
28	1.70	28.0	3500	3800	3000	2.657	5.197	8.9	19.6		
33	2.01	33.0	3500	3800	3000	2.736	5.354	9.1	20.0		
38	2.31	38.0	3500	3800	3000	2.815	5.512	9.3	20.5		
44	2.68	44.0	3100	3400	2500	2.894	5.669	9.5	20.9	U2 UNF#20 1-5/8"-12	
52	3.17	52.0	2800	3100	2500	2.992	5.866	9.8	21.6		
60	3.66	60.0	2550	2800	2500	3.110	6.102	10.0	22.0	U3 UNF#24 1-7/8"-12	UNF#16 1-5/16"-12
70	4.27	70.0	2300	2550	2500	3.248	6.378	10.4	22.9		
80	4.88	80.0	2100	2400	2300	3.346	6.575	10.7	23.5		
90	5.49	90.0	2000	2300	2000	3.465	6.811	11.1	24.4		

www.FluidyneFP.com  
Email:sales@FluidyneFP.com

## PUMPS & MOTORS

▲ FluidDyne

■ Remanufactured products

◆ Veljan

### VICKERS / EATON

#### VHO / VQ Single, Double & Triple\*

- ▲ ■ 20, 25, 30, 35, 45 (V/VQ/VT) 50V
- ▲ ■ 2520, 3520, 3525, 4520, 4525, 4535 (V/VQ)
- ▲ ■ 2520, 3520, 3525, 4520, 4525, 4535 VQSV10
- ▲ ■ Cart Kits available for all sizes

\*Caterpillar part numbered pumps also available

#### Round Pumps

- V104/5, V108/9, V110/1, V124/5, V128/9, V134/5
- V144/5, V148/9, V350/3/6, V360/1/2, V368/9/70
- VC108, 138, 148 Combination Pumps

#### Square Pumps

- ▲ ■ V10F, V10NF, V10P, V20F, V20NF, V20P
- ▲ ■ V2010F, V2010NF, V2010P, V2020F, V2020NF, V2020P
- ▲ ■ V210, V214, V230

#### Transmissions

- TA15, 19, 1919, 19V, 21

#### Motors

- MHT 32, 50, 70, 90, 110, 150, 250, 330, 440, 500, 750, 1000
- ▲ ■ 25M, 26M, 35M, 36M, 45M, 46M, 50M
- ▲ ■ M2-210
- ▲ ■ MFB 5, 10, 20, 29
- ▲ ■ MMFB 5, 10, 20, 29

#### Piston Pumps

- ▲ ■ PVH 57, 74, 98, 131, 141
- ▲ ■ PVE 12, 19, 21, 27\*, 35\*, 47\*, 62\*
- ▲ ■ PVB 5, 6, 10, 15, 20, 29, 45, 45A, 90\*
- ▲ ■ PVQ 10, 13, 20, 25\*, 32, 40, 45
- PVM 18, 20, 45, 50, 57, 63, 74, 81, 98, 106, 131, 141
- ▲ ■ PFB/MPFB 5, 6\*, 10, 15\*, 20\*, 29\*, 45\*

\*Only available in reman

### DENISON

- PV6, 10, 15, 20, 29

### OILGEAR

- PVW (W) (H) 04, 06, 10, 11, 15, 20, 25, 34, 45, 60
- PVW (J) 11, 14, 22, 25, 34, 46, 64, 76, 98, 130
- PVG 048, 065, 075, 100, 130, 150

### VELJAN

- ◆ Single T6, T7
- ◆ Double T6, T67, T7
- ◆ Triple T6, T67, T7
- ◆ Drive Train T6\*R
- ◆ M4C, M4D, M4E
- ◆ M3B
- ◆ TXB1/TXB2

### GEROLER/GEROTOR MOTORS

- ▲ H SERIES (101)
- ▲ S SERIES (103)
- ▲ 2000, 4000 (104, 109)
- ▲ 6000, 10,000 (112, 119)
- ▲ J SERIES (129)
- ▲ 500 Series (500/501)
- ▲ 211 Series

### REXROTH

- ▲ ■ A10V(S) 10, 18, 28, 45, 60, 63, 71, 74, 100, 140
- ▲ ■ A4V(S) 40, 071, 125, 180, 250

### GEAR PUMPS

- ▲ C101/102 Dump
- ▲ Aluminum Gear

### RACINE/BOSCH

- PSV 10, 15, 20, 25, 40, 80, 100
- PVF, PVQ, PVR
- PVK, PVT, PVS
- VPV
- ▲ ■ H20, H80

INTERCHANGES WITH: EATON • SAUER - DANFOSS • WHITE • PARKER / ROSS / TRW • CHARLYNN

## VALVES

#### Relief Valves

- ▲ ■ CT/CG/CS 5 /CS/CF\* 03, 06, 10
- ▲ ■ R/C/T/, R/C/S\*, RG/RCG 03, 06, 10
- ▲ ■ C175
- ◆ R1E Remote Relief

#### Check Valves

- ▲ ■ C5G, C2
- ▲ ■ 4CT, 4CG
- DT8P1
- ◆ C5V 06, 08, 10, 12

#### Directional Valves

- ▲ ■ D03 - DG4V3, 4WE6
- ▲ ■ D05 - DG4S401, 4WE10
- ▲ ■ DG5V5, DG5S4 02\*, DG5S4 04, 4WEH10, 4WEH16
- ▲ ■ D08 - DG5S4 06, DG5S8/H8, 4WEH25
- ▲ ■ DG17S/V, D03/D05

\*Only available in reman

#### Flow Control Valves

- ▲ ■ FCG 02/03

#### Pressure Controls

- ▲ ■ X (C) G OR T 03, 06, 10

\*Only available in reman

#### Flange Mounted Valves

- ◆ R5V/R5S/R5U: 06, 08, 10, 12
- ◆ C5V 06, 08, 10, 12

#### Unloading Relief Valves

- ▲ ■ URG/T 1/2, 06/10

#### Stack Modules

- ▲ ■ DGM Stacks, Flow Control, Reliefs, Checks, Pressure Controls (D03, 5, 7, 8)

#### Needle Valves (SAE/NPT)

- ▲ ■ 1/8" through 1-1/4"\*

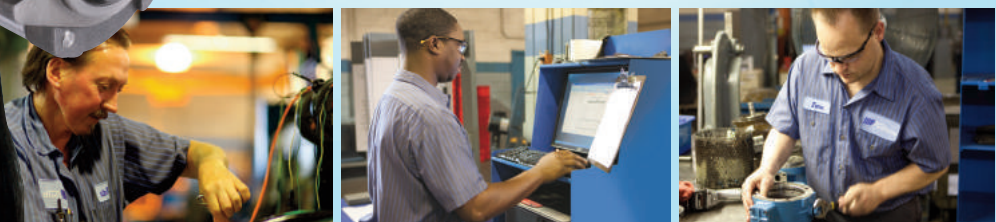
\*Manufacturers names and numbers are for reference only

FluidDyne has a full range of replacement filters elements and filter housings for: Pall • Hydac • Hycon • Schroeder • Vickers • Parker

**FluidDyne supports the distributors providing local knowledge and assistance to fluid power customers.**

**Our people provide extensive support:**

- Engineering expertise
- Decoding special part numbers
- Identification of parts within units
- Advice on component repair and assembly
- Component failure analysis
- New application component selection
- Same day shipments
- 18 month warranty



**Reman Units & Parts Available for Racine, Oilgear, Bosch, Continental and More.**

**Powered by  
Customer  
Service!**

**Call, email, chat...we're ready to help!**



31915 Groesbeck Highway • Fraser, Michigan 48026  
PH: 1-586-296-7200 • FAX: 1-586-296-7210  
Email: [sales@FluidDyneFP.com](mailto:sales@FluidDyneFP.com)

[www.FluidDyneFP.com](http://www.FluidDyneFP.com)

For most recent brochure, and information on our other products please visit [www.fluiddynefp.com](http://www.fluiddynefp.com)

