



New FluidDyne Valves

Directional Valves D03 & D05

Needle Valves

Stak Valves: PO Check, Reducing,

Flow Control, Check, Relief



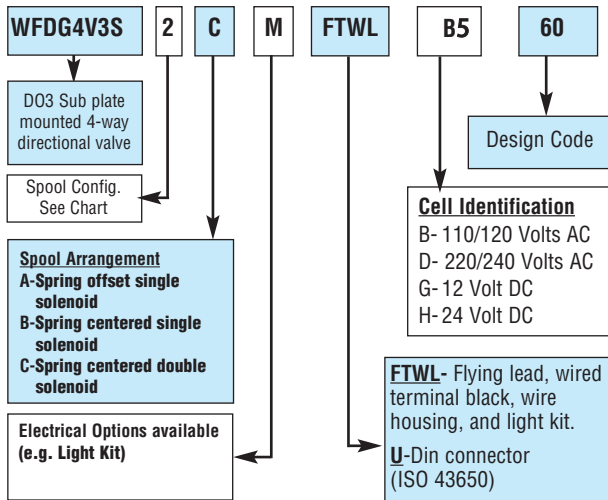
www.FluidDyneFP.com

New FluiDyne Valves

4 Way 3 and 2 position solenoid operated directional valves for D03 and D05 valves with a variety of voltage and spool configurations.

- D03 & D05
- Flow rate 14 GPM for D03
- Flow rate 22 GPM for D05
- 350 bar / 5000 PSI
- Endurance tested to 10 million cycles
- 18 month warranty
- Cost effective replacement to Rexroth, Bosch, Vickers, and Parker with superior performance
- Large inventory allows next day shipment in most cases.

WFDG4V3S Model Code Table (D03)



FluiDyne - VICKERS DESIGN COIL

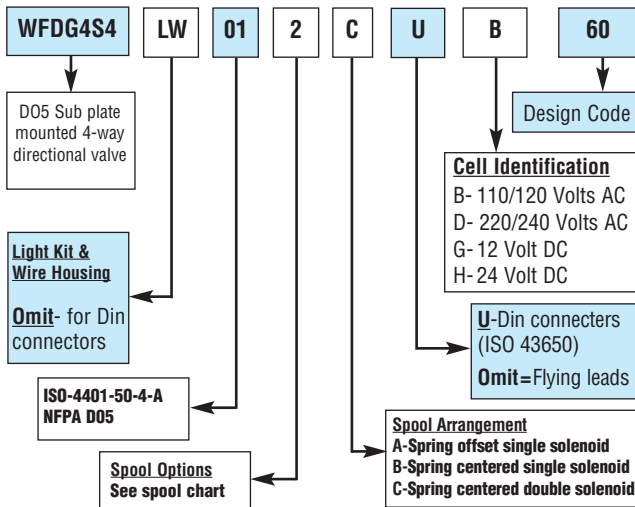
D03 SIZE For coils Mfg after 2008

RATED VOLTAGE	Hz	WORKING VOLTAGE	IN-RUSH CURRENT	HOLDING CURRENT	POWER WATTS
DC12	—	10.8~13.2	—	2.5A	30
DC24	—	21.6~26.4	—	1.25A	30
AC110V	50/60 Hz	99~121	1.7A	0.48A	30
AC220V	50/60 Hz	198~242	0.85A	0.25A	30

D05 SIZE

RATED VOLTAGE	Hz	WORKING VOLTAGE	IN-RUSH CURRENT	HOLDING CURRENT	POWER WATTS
DC12	—	10.8~13.2	—	3A	36
DC24	—	21.6~26.4	—	1.5A	36
AC110V	50/60 Hz	99~121	4.49A	0.87A	40
AC220V	50/60 Hz	198~242	2.9A	0.55A	40

WFDG4S4 Model Code Table (D05)



Spool Chart

Spool	Center Position	A	B	C	(Rexroth Spool)
0					(H)
2					(E)
6					(J)
7					(M)
8					(G)

▲ Note: Spool Transition Shown



WFDG4V3S – Hydraulic Directional Valve D03

Subplate / Manifold Mounted
Solenoid Operated
P, A, B Pressure Rated 4500 psi (310 bar)
T Pressure Rate at 1450 psi (100 bar)
Flows to 14 GPM (54 l/m)
Wiring box is 1/2" NPT thread
DIN female connection plugs included

120 VAC Coils 60 HZ – D03 (B) Coil

Spool	Valves	Description
2C	WF DG4V3S2CMFTWLB560	Wiring box, spring centered, two solenoids, light kit, 120 VAC 50/60 HZ
2C	WF DG4V3S2CMUB560	Din connectors, spring centered, two solenoids, 120 VAC, 50/60 HZ
6C	WF DG4V3S6CMFTWLB560	Wiring box, spring centered, two solenoids, light kit, 120 VAC, 50/60 HZ
6C	WF DG4V3S6CMUB560	Din connectors, spring centered, two solenoids, 120 VAC, 50/60 HZ
8C	WF DG4V3S8CMFTWLB560	Wiring box, spring centered, two solenoids, light kit, 120 VAC, 50/60 HZ
8C	WF DG4V3S8CMUB560	Din connectors, spring centered, two solenoids 120 VAC, 50/60 HZ
2A	WF DG4V3S2AMFTWLB560	Spring Offset, "A" port, Wiring Box, single Solenoid light kit, 120 VAC 50/60 HZ
2A	WF DG4V3S2AMUB560	Spring Offset, "A" port, Din Connector, single, solenoid, 120 VAC 50/60 HZ
0C	WF DG4V3S0CMFTWLB560	Wiring box, spring centered, two solenoids, light kit, 120 VAC, 50/60 HZ
7C	WF DG4V3S7CMFTWLB560	Wiring box, spring centered, two solenoids, light kit, 120 VAC, 50/60 HZ

*Note: See page 1 for spool function chart.
D03 valves have (4) # 10-24"x (45mm) 1 3/4" bolts included.*



WFDG4V3(S) – Hydraulic Directional Valve D03

12 VDC Coils – D03 (G) Coil

Spool	Valves	Description
2C	WF DG4V3S2CMFTWLG560	Wiring box, spring centered, two solenoids, 12 VDC
2C	WF DG4V3S2CMUG560	Din connectors, spring centered, two solenoids 12 VDC
6C	WF DG4V3S6CMFTWLG560	Wiring box, spring centered, two solenoids, 12 VDC
6C	WF DG4V3S6CMUG560	Din connectors, spring centered, two solenoids 12 VDC
2A	WF DG4V3S2AMFTWLG560	Spring Offset, “A” port, Wiring Box, single solenoid, 12 VDC
2A	WF DG4V3S2AMU560	Spring Offset, “A” port, Din Connector, single solenoid, 12 VDC

24 VDC Coils – D03 (H) Coil

Spool	Valves	Description
2C	WF DG4V3S2CMFTWLH560	Wiring box, spring centered, two solenoids, light kit, 24 VDC
2C	WF DG4V3S2CMUH560	Din connectors, spring centered, two solenoids 24 VDC
6C	WF DG4V3S6CMFTWLH560	Wiring box, spring centered, two solenoids, light Kit, 24 VDC
6C	WF DG4V3S6CMUH560	Din connectors, spring centered, two solenoids 24 VDC
2A	WF DG4V3S2AMFTWLH560	Spring Offset, “A” port, Wiring Box, single solenoid, light kit, 24 VDC
2A	WF DG4V3S2AMUH560	Spring Offset, “A” port, Din Connector, single Solenoid, 24 VDC
7C	WF DG4V3S7CMFTWLH560	Din connectors, spring centered, two solenoids, 24 VDC

*Note: See page 1 for spool function chart.
D03 valves have (4) # 10-24”x (45mm) 1 3/4” bolts included.*

WFDG4S4 – Hydraulic Directional D05

Subplate / Manifold Mounted

Solenoid Operated

P, A, B Pressure Rated 4500 psi (310 bar)

T Pressure Rate at 1000 psi (69 bar)

Flows to 21.5 GPM (80 l/m)

Wiring box is 1/2" NPT thread

DIN female connection plugs included

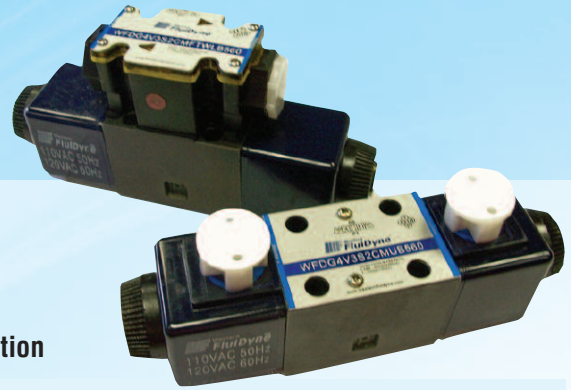


120 VAC Coils 60 HZ – D05 (B) Coil

Spool	Valves	Description
2A	WF DG4S4LW012AB60	Wiring box, spring offset to "A" Single solenoid, Light kit, 120 VAC, 50/60 HZ
2A	WF DG4S4012AUB60	Din connectors, spring offset to "A" Single solenoid, 120 VAC, 50/60 HZ
2C	WF DG4S4LW012CB60	Wiring box, spring centered, two solenoids, Light kit, 120 VAC, 50/60 HZ
2C	WF DG4S4012CUB60	Din connectors, spring centered, two solenoids, 120 VAC, 50/60 HZ
6C	WF DG4S4LW016CB60	Wiring box, spring centered, two solenoids, Light kit, 120 VAC, 50/60 HZ
6C	WF DG4S4016CUB60	Din connectors, spring centered, two solenoids, 120 VAC, 50/60 HZ
8C	WF DG4S4LW018CB60	Wiring box, spring centered, two solenoids, Light kit, 120 VAC, 50/60 HZ
8C	WF DG4S4018CUB60	Din connectors, spring centered, two solenoids, 120 VAC, 50/60 HZ
7C	WF DG4S4LW017CB60	Wiring box, spring centered, two solenoids, Light kit, 120 VAC, 50/60 HZ

Note: See page 1 for spool function chart.

D05 valves have (4) 1/4-20 x 1.5" (38.1mm) bolts included.



WFDG4S4 – Hydraulic Directional D05

12 VDC Coils – D05 (G) Coil

Spool	Valves	Description
2C	WF DG4S4LW012CG60	Wiring box, spring centered, two solenoids, Light kit, 12 VDC
2A	WF DG4S4LW012AG60	Wiring box, spring offset to “A” Single solenoid, Light kit, 12 VDC
2C	WF DG4S4012CUG60	Din connectors, spring centered, two solenoids, 12 VDC
2A	WF DG4S4012AUG60	Din connectors, spring offset to “A” Single solenoid, Light kit, 12 VDC
6C	WF DG4S4LW016CG60	Wiring box, spring centered, two solenoids, Light kit, 12 VDC
6C	WF DG4S4016CUG60	Din connectors, spring centered, two solenoids, 12 VDC
7C	WF DG4S4017CUG60	Din connectors, spring centered, two solenoids, 12 VDC

24 VDC Coils – D05 (H) Coil

Spool	Valves	Description
2C	WF DG4S4LW012CH60	Wiring box, spring centered, two solenoids, Light kit, 24 VDC
2A	WF DG4S4LW012AH60	Wiring box, spring offset to “A” Single solenoid, Light kit, 24 VDC
2C	WF DG4S4012CUH60	Din connectors, spring centered, two solenoids, 24 VDC
2A	WF DG4S4012AUH60	Din connectors, spring offset to “A” Single solenoid, Light kit, 24 VDC
6C	WF DG4S4LW016CH60	Wiring box, spring centered, two solenoids, Light kit, 24 VDC
6C	WF DG4S4016CUH60	Din connectors, spring centered, two solenoids, 24 VDC
7C	WF DG4S4017CUH60	Din connectors, spring centered, two solenoids, 24 VDC

*Note: See page 1 for spool function chart.
D05 valves have (4) 1/4-20 x 1.5" (38.1mm) bolts included.*

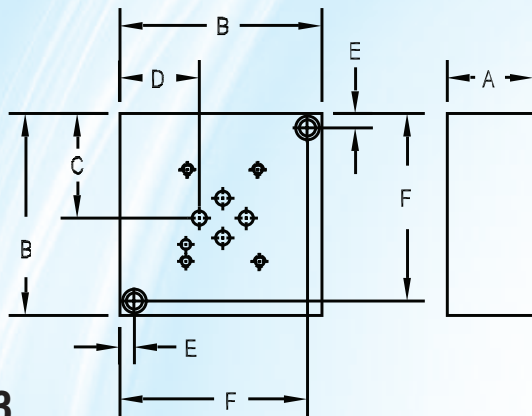


D03 & D05 Subplates, Manifolds, and Accessories

Ordering Information

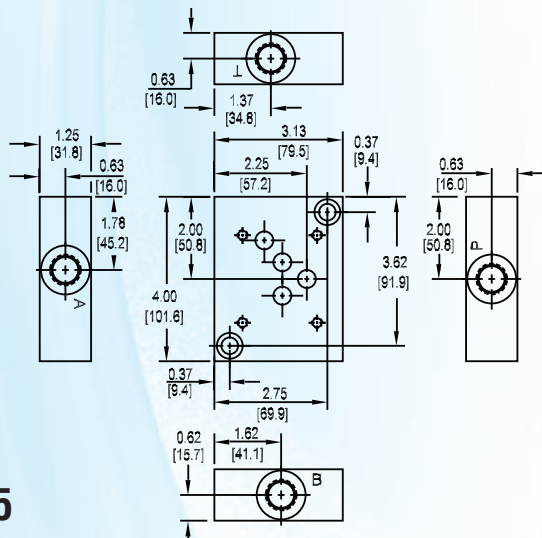
Material	Valve Pattern	Product Type	Port Location	Port Threads
A Aluminum - 6061-T6 3000† psi 20.7 MPa	D03 ISO 4401-03-02 NFPA T3.5.1-D03 D05 ISO 4401-05-04 NFPA T3.5.1-D05	SP Subplate	S Side Ported B Bottom Ported	6S* -6 SAE ISO 11926; SAE 1926 8S -8 SAE ISO 11926; SAE 1926

*Available on D03 only



D03

Dimension	A	B	C	D	E	F	G	H
AD03SPS6*	1.00 (25.4)	2.50 (63.5)	1.31 (33.3)	1.25 (31.8)	0.50 (12.7)	0.25 (6.4)	2.25 (57.2)	0.88 (22.4)
AD03SPS8*	1.50 (38.1)	3.50 (88.9)	1.81 (46.0)	1.76 (45.2)	0.75 (19.1)	0.25 (6.4)	3.25 (82.6)	1.38 (34.9)



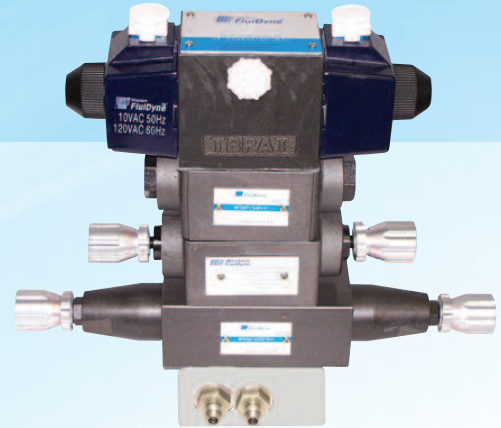
D05

SUBPLATES, MANIFOLDS, AND ACCESSORIES

WF P/N	WF Model Code	Note
Subplates		
WF860195	AD03SPS6S	D03, Side ported SAE -6
WF860291	AD03SPS8S	D03, Side ported SAE -8
WF860335	AD03SPB8S	D03, Bottom ported SAE -8
WF860292	AD05SPS8S	D05, Side ported SAE -8
WF860336	AD05SPB8S	D05, Bottom ported SAE -8
Manifold Parallel Multi-Stations		
WF860295	AD03P022S/C	D03 2-STATION SAE PORTS, w/relief cavity (C-10-2)**
WF860296	AD03P032S/C	D03 3-STATION SAE PORTS, w/relief cavity (C-10-2)**
WF860297	AD05P023S/C	D05 2-STATION SAE PORTS, w/relief cavity (C-10-2)**
WF860298	AD05P033S/C	D05 3-STATION SAE PORTS, w/relief cavity (C-10-2)**
Blank Cover Plate		
WF860301	AD03CPP	D03 BLANKING PLATE
WF860302	AD05CPP	D05 BLANKING PLATE
Manifold Accessories		
V889566	RV510S020/	RELIEF VALVE 100-2,000 PSI RANGE (fits C-10-2 cavity)
V02-352137	RV510S035/30	RELIEF VALVE SET @3,000 psi (fits C-10-2 cavity) 250-3,500 PSI RANGE
V565814	BLANK PLUG	BLANK CAVITY PLUG C-10-2 C-10-2 CAVITY

Note: All manifolds are parallel circuit design

** Relief valve must be ordered separately

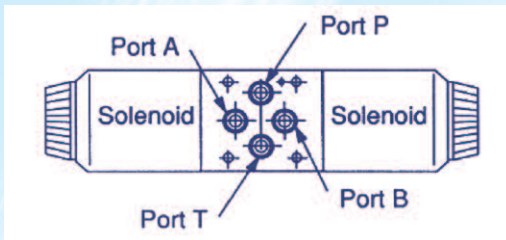


D03 & D05 Subplates, Manifolds, and Accessories

Hydraulic Directional Valves

Solenoids Standards:

Functional symbols related to solenoid identity “A” and / or “B” according to NFPA standards, i.e. energizing solenoid “A” gives flow P to B, solenoid “B” gives flow P to A.



D03 Bolt Kits (10-24):

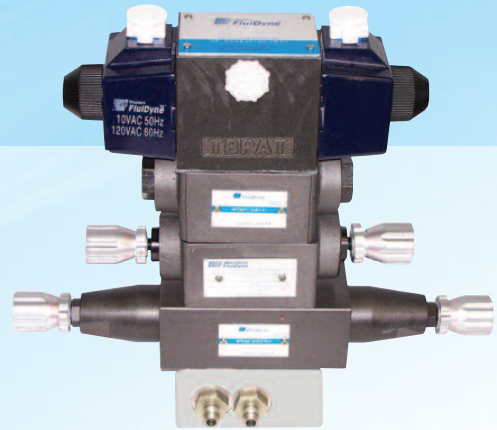
Valve	Length	Kit #
* Valve Only	1.75" (44.45 mm)	WFBK02-156494
Valve + 1 module 40mm	3.5" (88.9 mm)	WFBK466851
Valve + 2 modules 40mm	5" (127 mm)	WFBK466855
Valve + 3 modules 40mm	6.5" (165.10 mm)	WFBK466858

D05 Bolt Kits (1/4-20):

Valve	Length	Kit #
* Valve Only	1.5" (38.1 mm)	WFBKDG01633
Valve + 50 mm	3.75" (95.25 mm)	WFBK255654
Valve + 55 mm	4" (101.6 mm)	WFBK255689
Valve + 60 mm	4" (101.6 mm)	WFBK255689
Valve + 50 mm + 50 mm	6" (152.4 mm)	WFBK255657
Valve + 50 mm + 55 mm	6" (152.4 mm)	WFBK255657
Valve + 55 mm + 60 mm	6" (152.4 mm)	WFBK255657
Valve + 55 mm + 55 mm	6" (152.4 mm)	WFBK255657

*Included with WFD Valve WFBK Bolt Kits have (4) bolts in each kit

*All valves catalog page 4/5 shows "504" has 1.75" L bolts



D03 Stack Valves

PO Check Valves: D03

14.5 psi check cracking pressure
Sandwich Thickness 40 mm

Valves:

Description:

WF DGMPC-3ABK BAK-41

Dual Cross over checks

WF DGMPC-3ABK-41

Check in "A", pilot from "B"

WF DGMPC-3BAK-41

Check in "B", pilot from "A"

Reducing Valves: D03

Pressure reduced in "P", piloted from "P"
H = Hand knob pressure adjustment
N = 1/4" NPT gauge port
Sandwich thickness is 40 mm

Valves:

Description:

WF DGMX2 3 PP BHN41

Adjustment range 50 to 1000 psi, Reduced in P

WF DGMX2 3 PP CHN41

Adjustment range 145 to 2000 psi, Reduced in P

WF DGMX2 3 PP FHN41

Adjustment range 290 to 3625 psi, Reduced in P

WF DGMX2 3 PA BHN41

Adjustment range 50 to 1000 psi, Reduced in A

WF DGMX2 3 PA CHN41

Adjustment range 145 to 2000 psi, Reduced in A

WF DGMX2 3 PA FHN41

Adjustment range 290 to 3625 psi, Reduced in A

WF DGMX2 3 PB BHN41

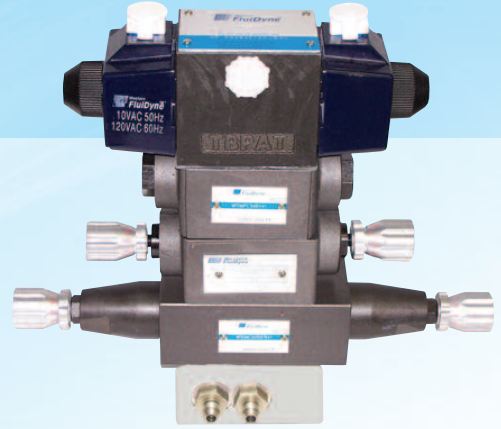
Adjustment range 50 to 1000 psi, Reduced in B

WF DGMX2 3 PB CHN41

Adjustment range 290 to 3625 psi, Reduced in B

WF DGMX2 3 PB FHN41

Adjustment range 290 to 3625 psi, Reduced in B



D03 Stack Valves

Flow Control Valves: D03

H = Hand knob pressure adjustment
W = Screw and lock nut pressure adjustment
Sandwich thickness is 40 mm

Valves:

Description:

WF DGMFN 3 Y A2 W/H 41	Flow Control Meter-out A port
WF DGMFN 3 X A2 W/H 41	Flow Control Meter-in A port
WF DGMFN 3 Y B2 W/H 41	Flow Control Meter-out B port
WF DGMFN 3 X B2 W/H 41	Flow Control Meter-in B port
WF DGMFN 3 Y A2 W/H B2 W/H 41	Flow Control Meter-out A & B ports
WF DGMFN 3 X A2 W/H B2 W/H 41	Flow Control Meter-in A & B ports

Check Valves: D03

Sandwich Thickness 40 mm

Valves:

Description:

WF DGMDC 3XTL 41	Free flow away from actuator, Check in T port, 5 psi
WF DGMDC 3XAL 41	Free flow away from actuator, Check in A port, 5 psi
WF DGMDC 3XBL 41	Free flow away from actuator, Check in B port, 5 psi
WF DGMDC 3YPL 41	Free flow towards actuator, Check in P port, 5 psi
WF DGMDC 3XTR 41	Free flow away from actuator, Check in T port, 50 psi
WF DGMDC 3XAR 41	Free flow away from actuator, Check in A port, 50 psi
WF DGMDC 3XBR 41	Free flow away from actuator, Check in B port, 50 psi
WF DGMDC 3YPR 41	Free flow towards actuator, Check in P port, 50 psi



D03 Stack Valves

Relief Valves: D03

H = Hand knob pressure adjustment
W = Screw and lock nut pressure adjustment
Sandwich thickness is 40 mm

Valves:

Description:

WF DGMC3 PTB W/H 41	Pressure in "P" relieved to "T", 44 psi thru 1450 psi (3-100 Bar)
WF DGMC3 ATB W/H 41	Pressure in "A" relieved to "T", 44 psi thru 1450 psi (3-100 Bar)
WF DGMC3 BTB W/H 41	Pressure in "B" relived to "T", 44 psi thru 1450 psi (3-100 Bar)
WF DGMC2 3ATB W/H BTB W/H 41	Dual Relief Pressure in "A" relieved to "T" Pressure in "B" port relieved to "T", 47 psi thru 1450 psi (3-100 Bar)
WF DGMC3 PTC W/H 41	Pressure in "P" relieved to "T", 500 psi thru 2000 psi
WF DGMC3 ATC W/H 41	Pressure in "A" relieved to "T", 500 psi thru 2000 psi
WF DGMC3 BTC W/H 41	Pressure in "B" relived to "T", 500 psi thru 2000 psi
WF DGMC2 3ATC W/H BTC W/H 41	Dual Relief Pressure in "A" relieved to "T" Pressure in "B" port relieved to "T", 500 psi thru 2000 psi
WF DGMC2 3ATF W/H BTF W/H 41	Dual Relief Pressure in "A" relieved to "T" Pressure in "B" port relieved to "T", 800 psi thru 3600 psi
WF DGMC3 PTF H 41	Pressure in "P" relieved to "T", 800 psi thru 3600 psi
WF DGMC3 ATF H 41	Pressure in "A" relieved to "T", 800 psi thru 3600 psi
WF DGMC3 BTF H 41	Pressure in "B" relived to "T", 800 psi thru 3600 psi



D05 Stack Valves

PO Check Valves: D05

14.5 psi check cracking pressure
Sandwich Thickness is 50 mm

Valves:

Description:

WF DGMPC-5ABK BAK-30

Dual Cross over checks

WF DGMPC-5ABK-30

Check in "A", pilot from "B"

WF DGMPC-5BAK-30

Check in "B", pilot from "A"

Reducing Valves: D05

Pressure reduced in "P", piloted from "P" and reduced in "A" and "B"
H = Hand knob pressure adjustment N = 1/4" NPT gauge port
W = Screw and lock nut pressure adjustment S = 7/16-20 SAE gauge port
Sandwich thickness is 60 mm

Valves:

Description:

WF DGMX2 5 PPB HN/WS 30

Adjustment range 50 to 1000 psi, Reduced in P

WF DGMX2 5 PPC HN/WS 30

Adjustment range 145 to 2000 psi, Reduced in P

WF DGMX2 5 PPF HN/WS 30

Adjustment range 290 to 3625 psi, Reduced in P

WF DGMX2 5 PAB HN/WS 30

Adjustment range 50 to 1000 psi, Reduced in A

WF DGMX2 5 PAC HN/WS 30

Adjustment range 145 to 2000 psi, Reduced in A

WF DGMX2 5 PAF HN/WS 30

Adjustment range 290 to 3625 psi, Reduced in A

WF DGMX2 5 PBB HN/WS 30

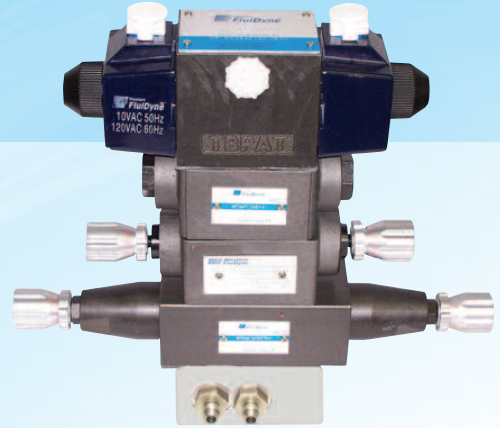
Adjustment range 50 to 1000 psi, Reduced in B

WF DGMX2 5 PBC HN/WS 30

Adjustment range 145 to 2000 psi, Reduced in B

WF DGMX2 5 PBF HN/WS 30

Adjustment range 290 to 3625 psi, Reduced in B



D05 Stack Valves

Flow Control Valves: D05

H = Hand knob pressure adjustment
W = Screw and lock nut pressure adjustment
Sandwich thickness is 55 mm

Valves:

Description:

WF DGMFN 5 Y A2 W/H 30	Flow Control Meter-out A port
WF DGFN 5 X A2 W/H 30	Flow Control Meter-in A Port
WF DGMFN 5 Y B2 W/H 30	Flow Control Meter-out B port
WF DGMFN 5 X B2 W/H 30	Flow Control Meter-in B port
WF DGMFN 5 Y A2 W/H B2 W/H 30	Flow Control Meter-out A & B ports
WF DGMFN 5 X A2 W/H B2 W/H 30	Flow Control Meter-in A & B ports

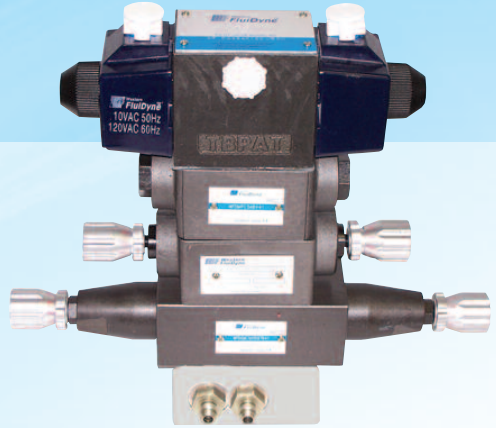
Check Valves: D05

Sandwich Thickness is 55 mm

Valves:

Description:

WF DGMDC 5 X TL-41	Free flow away from actuator, Check in T port, 5 psi
WF DGMDC 5 X AL-41	Free flow away from actuator, Check in A port, 5 psi
WF DGMDC 5 X BL-41	Free flow away from actuator, Check in B port, 5 psi
WF DGMDC 5 Y PL-41	Free flow towards actuator, Check in P port, 5 psi
WF DGMDC 5 X TR-41	Free flow away from actuator, Check in T port, 60 psi
WF DGMDC 5 X AR-41	Free flow away from actuator, Check in A port, 60 psi
WF DGMDC 5 X BR-41	Free flow away from actuator, Check in B port, 60 psi
WF DGMDC 5 Y PR-41	Free flow towards actuator, Check in P port, 60 psi



D05 Stack Valves

Relief Valves: D05

H = Hand knob pressure adjustment
W = Screw and lock nut pressure adjustment
S = 7/16-20 SAE gauge port
Sandwich thickness is 55 mm

Valves:

Description:

WF DGMC5 PTB H 30

Pressure in "P" relieved to "T", 48 psi thru 1450 psi

WF DGMC5 ATB H 30

Pressure in "A" relieved to "T", 48 psi thru 1450 psi

WF DGMC5 BTB H 30

Pressure in "B" relived to "T", 48 psi thru 1450 psi

WF DGMC2 5 ATB W BTB W/S 30
 WF DGMC2 5 ATB H BTB H 30

Dual Relief Pressure in "A" relieved to "T" Pressure in "B" port relieved to "T", 48 psi thru 1450 psi

WF DGMC5 PTC H 30

Pressure in "P" relieved to "T", 100 psi thru 2000 psi

WF DGMC5 ATC H 30

Pressure in "A" relieved to "T", 100 psi thru 2000 psi

WF DGMC5 BTC H 30

Pressure in "B" relived to "T", 100 psi thru 2000 psi

WF DGMC2 5 ATC W BTC W/S 30
 WF DGMC2 5 ATC H BTC H 30

Dual Relief Pressure in "A" relieved to "T" Pressure in "B" port relieved to "T", 100 psi thru 2000 psi

WF DGMC5 PTF H 30

Pressure in "P" relieved to "T", 125 psi thru 3600 psi

WF DGMC5 ATF H 30

Pressure in "A" relieved to "T", 125 psi thru 3600 psi

WF DGMC5 BTF H 30

Pressure in "B" relived to "T", 125 psi thru 3600 psi

WF DGMC2 5 ATF W BTF W/S 30
 WF DGMC2 5 AFT H BTF H 30


Dual Relief Pressure in "A" relieved to "T" Pressure in "B" port relieved to "T", 125 psi thru 3600 psi



In-Line Valves

Rated to 5000 PSI (315 Bar)

In-Line Needle Valves

Controls Flow in both Directions 

WFD Part Number	Description	Parker Part Number (For reference only)	Max. Flow
WF860144	1/4 inch NPT Female-Female	N400SFV	5 GPM
WF860145	3/8 inch NPT Female-Female	N600SFV	8 GPM
WF860146	1/2 inch NPT Female-Female	N800SFV	15 GPM
WF860147	3/4 inch NPT Female-Female	N1200SFV	25 GPM
WF860148	1 inch NPT Female-Female	N1600SFV	40 GPM
WF860149	1 1/4 inch NPT Female-Female	N2000SFV	70 GPM
WF860150	# 4 SAE Female –Female	N420SFV	5 GPM
WF860151	# 6 SAE Female –Female	N620SFV	8 GPM
WF860152	# 8 SAE Female –Female	N820SFV	15 GPM
WF860153	# 10 SAE Female –Female	N1020SFV	15 GPM
WF860154	# 12 SAE Female –Female	N1220SFV	25 GPM
WF860155	# 16 SAE Female –Female	N1620SFV	40 GPM
WF860156	# 20 SAE Female –Female	N2020SFV	70 GPM
WF860157	# 24 SAE Female –Female	N/A	

In-Line Flow Control Valves

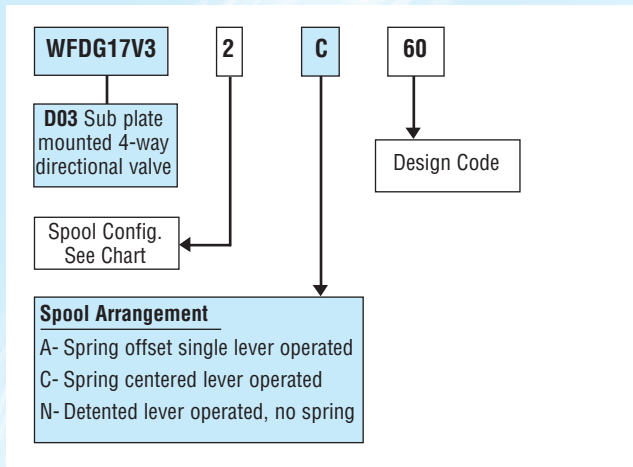
Controls Flow in one Direction 

WFD Part Number	Description	Parker Part Number (For reference only)	Max. Flow
WF860158	1/4 inch NPT Female-Female	F400SFV	5 GPM
WF860159	3/8 inch NPT Female-Female	F600SFV	8 GPM
WF860160	1/2 inch NPT Female-Female	F800SFV	15 GPM
WF860161	3/4 inch NPT Female-Female	F1200SFV	25 GPM
WF860162	1 inch NPT Female-Female	F1600SFV	40 GPM
WF860163	1 1/4 inch NPT Female-Female	F2000SFV	70 GPM
WF860164	# 4 SAE Female –Female	F420SFV	5 GPM
WF860165	# 6 SAE Female –Female	F620SFV	8 GPM
WF860166	# 8 SAE Female –Female	F820SFV	15 GPM
WF860167	# 10 SAE Female –Female	F1020SFV	15 GPM
WF860168	# 12 SAE Female –Female	F1220SFV	25 GPM
WF860169	# 16 SAE Female –Female	F1620SFV	40 GPM
WF860170	# 20 SAE Female –Female	F2020SFV	70 GPM
WF860171	# 24 SAE Female –Female	F2420SFV	100 GPM

4 Way 3 and 2 position lever operated directional valves for D05 and D03 valves with a variety of spool configurations.

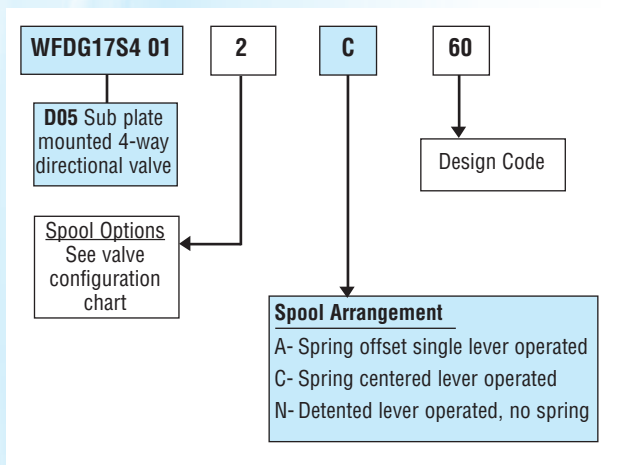


WFDG17V3 Model Code Table (D03)



- D03 & D05
- Flow rate 14 GPM for D03
- Flow rate 26 GPM for D05
- 4500 PSI
- Endurance tested to 10 million cycles
- 18 month warranty
- Cost effective replacement to Rexroth, Bosch, Vickers, and Parker with superior performance
- Large inventory allows same day shipment in most cases.

WFDG17S4 Model Code Table (D05)



DG17* Valve Configuration

