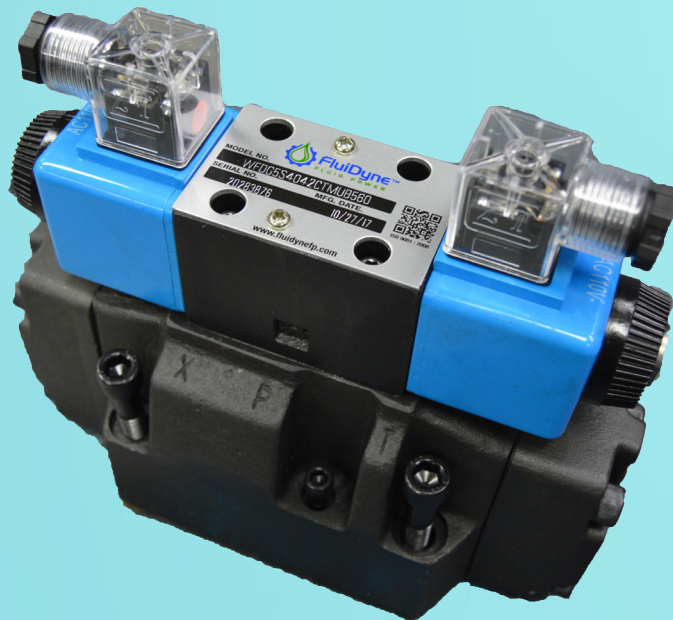


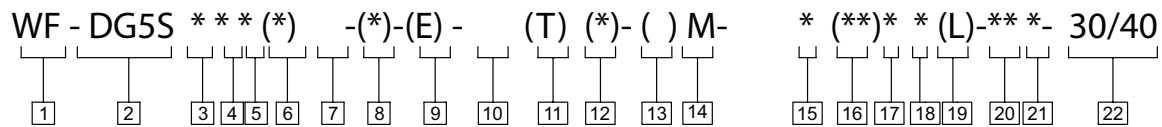


## WFDG5S4-04 Two Stage Pilot Operated Valves

- Electro-Hydraulic Directional Control Valve
- Variety of Spool Configurations
- 18 Month Warranty
- Flow Rates to 60 gpm



# Model Code Breakdown



## 1 WF - Fluidyne Brand

## 2 Series Designation

- D Directional control valve
- G Manifold or subplate mounted
- 5 Solenoid controlled, pilot operated
- S Sliding spool, rated pressure 210 bar (3000 psi)

## 3 Interface

- NFPA
- 4-04 D07

## 4 Spool Type

- See Chart on page 2
- |      |                             |
|------|-----------------------------|
| Code | Center position             |
| 0    | all ports open              |
| 2    | all ports closed            |
| 4    | Tandem P to T, A & B closed |
| 6    | Closed P A & B to T         |
| 7    | Open P to A & B, closed T   |
| 8    | Tandem P to T, A & B closed |

## 5 Spool/Spring Arrangement

- A Spring offset to A port
- B Spring centered, solenoid A removed
- C Spring centered
- N No spring detented (pilot only)

## 6 Left Hand Assembly

- L Left hand, single solenoid only.  
(For right hand assembly, P to A port when solenoid A is energized.)
- Blank Omit if not required

## 7 Manual Override

- Blank – Plain override solenoid ends only

## 8 Response Type

- X Fast response
- Blank Standard low shock models

## 9 Spool Control Modifications

- 2 Pilot choke (dual) adjustment
- Blank Omit if not required

## 10 Pilot Pressure

- E External pilot pressure
- Blank Internal pilot pressure

## 11 Pilot Drain

- T Internal pilot drain
- Blank External pilot drain

## 12 Pressure Port Check Valve

- K 5 psi cracking pressure
- R 50 psi cracking pressure
- S 75 psi cracking pressure
- Blank Omit if not required

## 13 Solenoid Energization Identity

- V Solenoid identification determine by position of solenoid (solenoid A at port A end and/or solenoid B a port B end)
- Blank Standard arrangement for ANSI B93.9 (energize solenoid A for flow P to A port)
- (Code V for any valve with # 4 or #8 spool)

## 14 Flag Symbol

- M Electrical options and features

## 15 Coil Type

- F Flying Leads
- U DIN ISO 4400

## 16 Electrical Connections (Code F coil only)

- T Wired terminal block
- PA3 Three pin connector
- PA5 Five pin connector
- Blank Omit if not required

## 17 Housing (Code F coil only)

- W 1/2 NPT thread wiring housing
- Blank Omit if not required

## 18 Electrical Options

- (Code U coil only)
- Blank ISO with fitted plug and lights

## 19 Solenoid Indicator Lights

- (Code F coil with code T electrical connections only)
- L Indicator lights
- Blank Omit if not required

## 20 Coil Identification

- B 110V AC 50 Hz/120V AC 60 Hz
- D 220V AC 50 Hz/240V AC 60 Hz
- G 12 V DC
- H 24 V DC

## 21 Pilot Valve Tank Pressure Rating

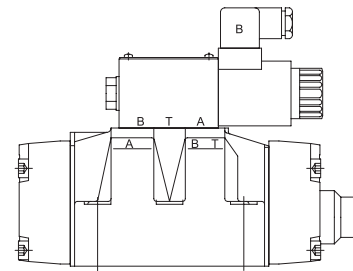
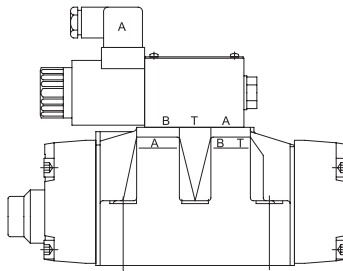
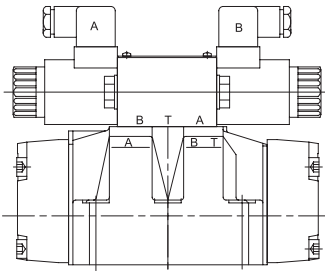
- 5 1450 psi DG4V3S-60
- 6 3045 psi DG4V3-60 with AC solenoids, high performance
- 7 3000 psi DG4V3-60 with DC solenoids high performance

## 22 Design Number

- Subject to change

# Spool Type and Spring Mechanism

2C		2B		2BL		2A	
0C		0B		0BL		0A	
6C		6B		6BL		22A	
7C		7B		7BL		2AL	
8C		8B		8BL		0AL	
4C		4B		4BL		22AL	



# Technical Data

<b>D07</b>	<b>Weight</b>
Valve with one solenoid	14 lbs
Valve with two solenoids, spring centered	15 lbs

<b>Max Operating Pressure</b>			
<b>Ports</b>	<b>Type</b>	<b>PSI</b>	
P, A,B	Pressure	4061	
T	Pilot oil drain Y external	3626	
	Pilot oil drain Y internal	3046	DC Voltage
		2320	AC Voltage
Y	External Pilot Oil Drain	3046	DC Voltage
		2320	AC Voltage
Maximum Pilot Pressure		3600	

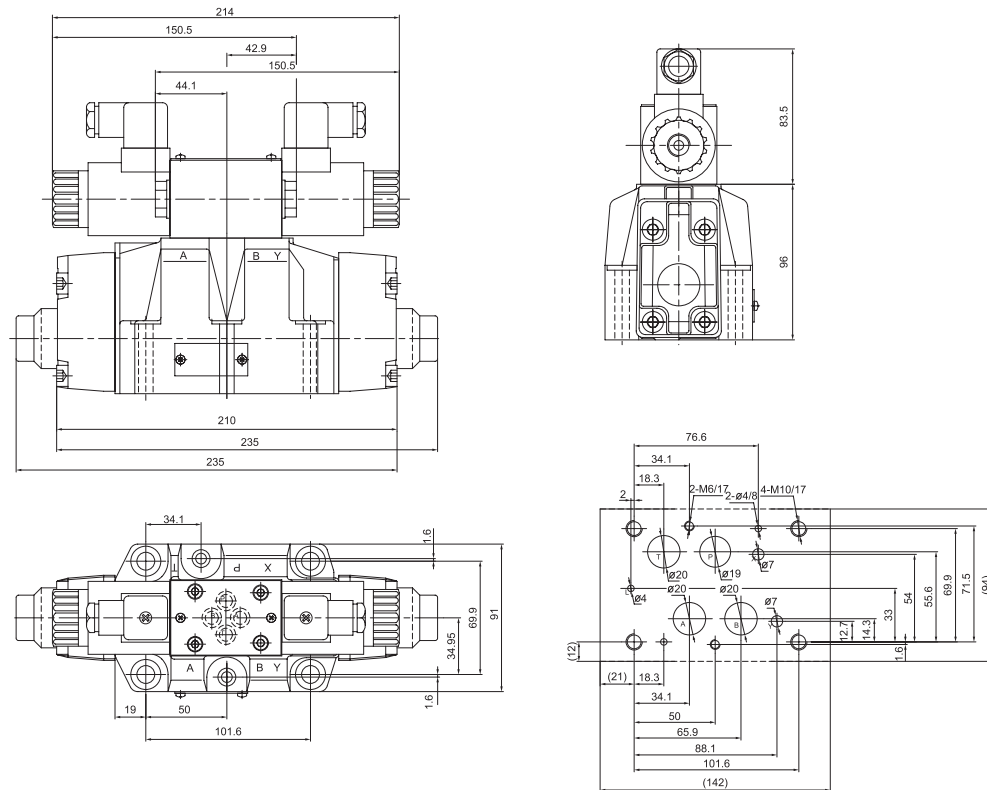
<b>D03 Pilot Coils</b>						
<b>Rated Voltage</b>	<b>HZ</b>	<b>Working Voltage</b>	<b>In-Rush Current</b>	<b>Holding Current</b>	<b>Power Watts</b>	<b>Remark</b>
DC12		10.8~13.2		2.5A	30	
DC24		21.6~26.4		1.25A	30	
AC110B		99~121		0.65A	30	Rectified Type
AC220B		198~242		0.33A	30	Rectified Type
AC110V	50/60	99~121	1.7A	0.48A	30	
AC220V	50/60	198~242	0.85A	0.25A	30	



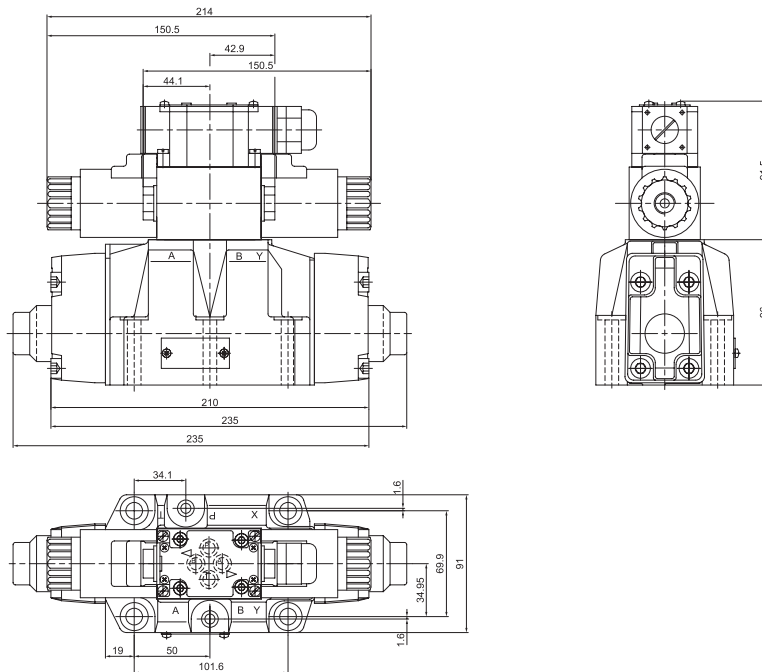
Call us Today for a Quote! (586) 296-7200

# Installation Dimensions

## D07 DC Din Plug

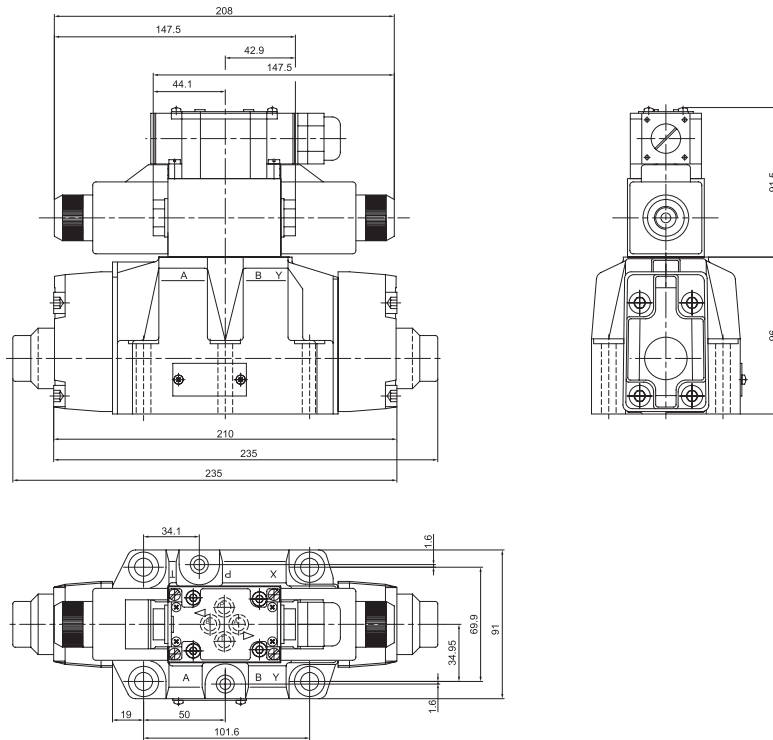


## D07 DC Wire Box



# Installation Dimensions

## D07 AC Wire Box



## D07 AC Din Plug

