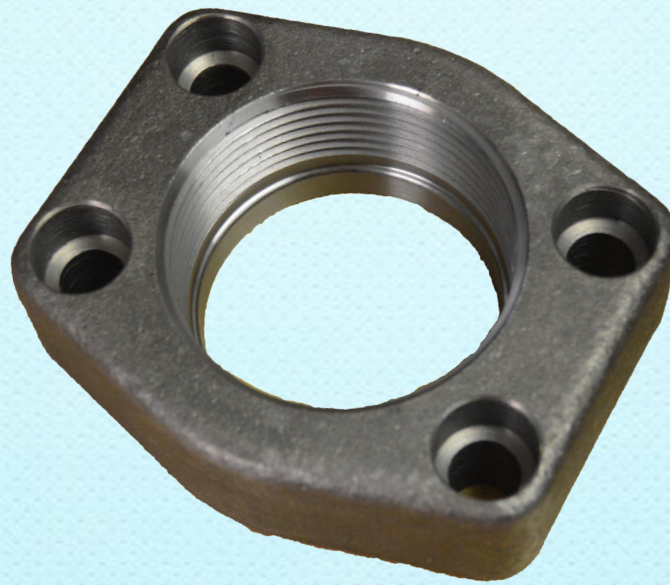




**FluidDyne**™  
FLUID POWER

## Flange Guide



[www.FluidDyneFP.com](http://www.FluidDyneFP.com)

# Table of Contents:

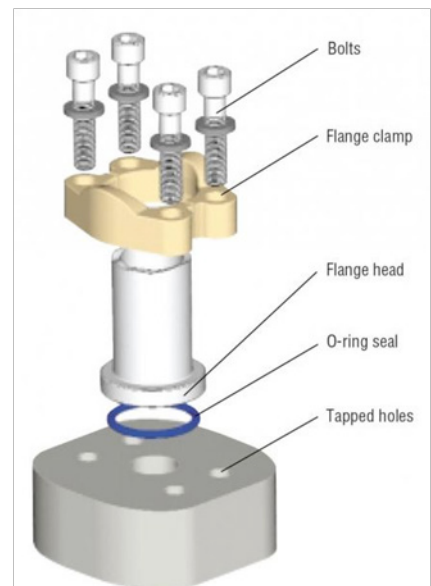
Veljan Flange Kits for Pumps.....	2-5
M Motors Flange Kits.....	5
PVH Flange Kits.....	5
VHO/VQ Flange Kits.....	6
A10V Flange Kits.....	6

## Design and Construction:

FluiDyne 4-bolt cast steel flange products are designed to provide different methods of connecting a tube, hose, pipe or another fitting to the SAE standard 4-bolt flange port. These flange fittings are designed to conform to o-ring groove, bolt holes, and bolt pattern dimensions of either Code 61 or Code 62 of SAE J518 and ISO 6162-1 (code 61) or -2 (code 62).

## How Flange Connections Work:

The (o-ring) seal is compressed between the bottom of the groove in the flange head and the flat surface of the port or flange pad, providing a seal. A metal-to-metal contact at the outer face of the flange with the port face keeps the seal from extruding under pressure. This metal-to-metal contact is maintained by the clamping force provided by tightening the bolts.



# Veljan NPT Flange Kits:

## Single Pumps:

Series	Inlet		P1	
	Size	Part #	Size	Part #
TXB1/2	1 1/4"	WF860885	3/4"	WF860789
T6C/M/R	1 1/2"	WF860454	1"	W43-16-16U
T6D/M/R	2"	WF860862	1 1/4"	W43-20-20U
T6E/M/R	3"	WF860867	1 1/2"	W43-24-24U
T6GC	1 1/2"	WF860454	1"	W43-16-16U
T7BS 01	1 1/2"	WF860454	3/4"	W43-12-12U
T7BS 00			1"	W43-16-16U
T7DS	2"	WF860862	1 1/4"	W43-20-20U
T7ES	3"	WF860867	1 1/2"	W43-24-24U

All Flanges are Code 61

## Double Pumps:

Series	Inlet		P1		P2	
	Size	Part #	Size	Part #	Size	Part #
T6CC/M/W 00	3"	WF860867	1"	W43-16-16U	1"	W43-16-16U
T6CC/M/W 01					3/4"	W43-12-12U
T6CC/M/W 10	2 1/2"	WF860691	1"	W43-16-16U	3/4"	W43-12-12U
T6CC/M/W 11					1"	W43-16-16U
T6CCZ 00	3"	WF80867	1"	W43-16-16U	1"	W43-16-16U
T6CCZ 01					3/4"	W43-12-12U
T6CCZ 10	2 1/2"	WF860691	1"	W43-16-16U	3/4"	W43-12-12U
T6CCZ 11					1"	W43-16-16U
T6DC/M/W 00	3"	WF860867	1 1/4"	W43-20-20U	1"	W43-16-16U
T6DC/M/W 01					3/4"	W43-12-12U
T6DDS	4"	W43-64-64U	1 1/4"	W43-20-20U	1 1/4"	W43-20-20U
T6EC/M	3 1/2"	W43-56-56U	1 1/2"	W43-24-24U	1"	W43-16-16U
T6ED/M	4"	W43-64-64U	1 1/2"	W43-24-24U	1 1/4"	W43-20-20U
T6EES	4"	W43-64-64U	1 1/2"	W43-24-24U	1 1/2"	W43-24-24U

All Flanges are Code 61, T7 double pump flanges on next page

# Veljan NPT Flange Kit:

## Double Pumps:

Series	Inlet		P1		P2	
	Size	Part #	Size	Part #	Size	Part #
T7BBS 00	2 1/2"	WF860691	1"	W43-16-16U	3/4"	W43-12-12U
T7BBS 01			3/4"	W43-12-12U		
T7DBS 00	3"	WF860867	1 1/4"	W43-20-20U	1"	W43-16-16U
T7DBS 01					3/4"	W43-12-12U
T7DDS	4"	W43-64-64U	1 1/4"	W43-20-20U	1 1/4"	W43-20-20U
T7EBS	3 1/2"	W43-56-56U	1 1/2"	W43-24-24U	3/4"	W43-12-12U
T7EBS			1 1/4"	W43-20-20U		
T7EDS	4"	W43-64-64U	1 1/2"	W43-24-24U	1 1/4"	W43-20-20U
T7EES	4"	W43-64-64U	1 1/2"	W43-24-24U	1 1/2"	W43-24-24U
T67BB	2"	WF860862	1"	W43-16-16U	3/4"	W43-12-12U
T67CB	2"	WF860862	1"	W43-16-16U	3/4"	W43-12-12U
T67DB	3"	WF860867	1 1/4"	W43-20-20U	3/4"	W43-12-12U
T67EB	3 1/2"	W43-56-56U	1 1/2"	W43-24-24U	3/4"	W43-12-12U
T67EC 00	3 1/2"	W43-56-56U	1 1/2"	W43-24-24U	1"	W43-16-16U
T67EC 01					3/4"	W43-12-12U
T6GCC	3"	WF860867	1"	W43-16-16U	1"	W43-16-16U
T6GCC					3/4"	W43-12-12U

All Flanges are Code 61

## Triple Pumps:

Series	Inlet		P1		P2		P3	
	Size	Part #	Size	Part #	Size	Part #	Size	Part #
T6DCB	3"	WF860867	1 1/4"	W43-20-20U	1"	W43-16-16U	3/4"	W43-12-12U
T6DCC/M 00	4"	W43-64-64U	1 1/4"	W43-20-20U	1"	W43-16-16U	1"	W43-16-16U
T6DCC/M 01							3/4"	W43-12-12U
T6DDCS 00	4"	W43-64-64U	1 1/4"	W43-20-20U	1 1/4"	W43-20-20U	1"	W43-16-16U
T6DDCS 01							3/4"	W43-12-12U
T6EDC/M 00	4"	W43-64-64U	1 1/2"	W43-24-24U	1 1/4"	W43-20-20U	1"	W43-16-16U
T6EDC/M 01							3/4"	W43-12-12U
T7DBB/S	4"	W43-64-64U	1 1/4"	W43-20-20U	1"	W43-16-16U	3/4"	W43-12-12U
T7DDB/S 01	4"	W43-64-64U	1 1/4"	W43-20-20U	1 1/4"	W43-20-20U	3/4"	W43-12-12U
T7DDB/S 00							1"	W43-16-16U
T7EDB/S 01	4"	W43-64-64U	1 1/2"	W43-24-24U	1 1/4"	W43-20-20U	3/4"	W43-12-12U
T7EDB/S 00							1"	W43-16-16U
T67DBB	4"	W43-64-64U	1 1/4"	W43-20-20U	1"	W43-16-16U	3/4"	W43-12-12U
T67DCB	4"	W43-64-64U	1 1/4"	W43-20-20U	1"	W43-16-16U	3/4"	W43-12-12U
T67DCC 01	4"	W43-64-64U	1 1/4"	W43-20-20U	1"	W43-16-16U	3/4"	W43-12-12U
T67DCC 00							1"	W43-16-16U
T67DDCS 01	4"	W43-64-64U	1 1/4"	W43-20-20U	1 1/4"	W43-20-20U	3/4"	W43-12-12U
T67DDCS 00							1"	W43-16-16U
T67EDB	4"	W43-64-64U	1 1/2"	W43-24-24U	1 1/4"	W43-20-20U	3/4"	W43-12-12U
T67EDC/S/M 01	4"	W43-64-64U	1 1/2"	W43-24-24U	1 1/4"	W43-20-20U	3/4"	W43-12-12U
T67EDC/S/M 00							1"	W43-16-16U

All Flanges are Code 61

# Veljan SAE Flange Kit:

## Single Pumps:

Series	Inlet		P1	
	Size	Part #	Size	Part #
TXB1/2	1 1/4"	W46-20-20U	3/4"	W46-12-12U
T6C/M/R	1 1/2"	W46-24-24U	1"	W46-16-16U
T6D/M/R	2"	W46-32-32U*	1 1/4"	W46-20-20U
T6E/M/R	3"	W46-48-48U*	1 1/2"	W46-24-24U
T6GC	1 1/2"	W46-24-24U	1"	W46-16-16U
T7BS	1 1/2"	W46-24-24U	3/4"	W46-12-12U
			1"	W46-16-16U
T7DS	2"	W46-32-32U*	1 1/4"	W46-20-20U
T7ES	3"	W46-48-48U*	1 1/2"	W46-24-24U

\* These flanges may not be used above 500 psi.  
All flanges are code 61.

## Double Pumps:

Series	Inlet		P1		P2	
	Size	Part #	Size	Part #	Size	Part #
TXBB1/2	2"	W46-32-32U*	3/4"	W46-12-12U	3/4"	W46-12-12U
T6BB	2"	W46-32-32U*	3/4"	W46-12-12U	3/4"	W46-12-12U
T6CC/M/W 00	3"	W46-48-48U*	1"	W46-16-16U	1"	W46-16-16U
T6CC/M/W 01					3/4"	W46-12-12U
T6CC/M/W 10	3"	W46-40-40U*	1"	W46-16-16U	1"	W46-16-16U
T6CC/M/W 11					3/4"	W46-12-12U
T6CCZ 00	3"	W46-48-48U*	1"	W46-16-16U	1"	W46-16-16U
T6CCZ 01					3/4"	W46-12-12U
T6CCZ 10	3"	W46-40-40U*	1"	W46-16-16U	1"	W46-16-16U
T6CCZ 11					3/4"	W46-12-12U
T6DC/M/W 00	3"	W46-48-48U*	1 1/4"	W46-20-20U	1"	W46-16-16U
T6DC/M/W 01					3/4"	W46-12-12U
T6DDS	4"	W46-64-64U*	1 1/4"	W46-20-20U	1 1/4"	W46-20-20U
T6EC/M	3 1/2"	N/A	1 1/2"	W46-24-24U	1"	W46-16-16U
T6ED/M	4"	W46-64-64U*	1 1/2"	W46-24-24U	1 1/4"	W46-20-20U
T6EES	4"	W46-64-64U*	1 1/2"	W46-24-24U	1 1/2"	W46-24-24U

\* These flanges may not be used above 500 psi.  
All flanges are code 61.



# Veljan SAE Flange Kit:

## Triple Pumps:

Series	Inlet		P1		P2		P3	
	Size	Part #	Size	P1	Size	P2	Size	P3
T6DCB	3"	W46-48-48U*	1 1/4"	W46-20-20U	1"	W46-16-16U	3/4"	W46-12-12U
T6DCC/M 00	4"	W46-64-64U*	1 1/4"	W46-20-20U	1"	W46-16-16U	1"	W46-16-16U
T6DCC/M 01							3/4"	W46-12-12U
T6DDCS 00	4"	W46-64-64U*	1 1/4"	W46-20-20U	1 1/4"	W46-20-20U	1"	W46-16-16U
T6DDCS 01							3/4"	W46-12-12U
T6EDC/M 00	4"	W46-64-64U*	1 1/2"	W46-24-24U	1 1/4"	W46-20-20U	1"	W46-16-16U
T6EDC/M 01							3/4"	W46-12-12U
T7DBB/S	4"	W46-64-64U*	1 1/4"	W46-20-20U	1"	W46-16-16U	3/4"	W46-12-12U
T7DDB/S	4"	W46-64-64U*	1 1/4"	W46-20-20U	1 1/4"	W46-20-20U	3/4"	W46-12-12U
T7EDB/S 00	4"	W46-64-64U*	1 1/2"	W46-24-24U	1 1/4"	W46-20-20U	1"	W46-16-16U
T7EDB/S 01							3/4"	W46-12-12U
T67DBB	4"	W46-64-64U*	1 1/4"	W46-20-20U	1"	W46-16-16U	3/4"	W46-12-12U
T67DCB	4"	W46-64-64U*	1 1/4"	W46-20-20U	1"	W46-16-16U	3/4"	W46-12-12U
T67DCC 00	4"	W46-64-64U*	1 1/4"	W46-20-20U	1"	W46-16-16U	1"	W46-16-16U
T67DCC 01							3/4"	W46-12-12U
T67DDCS 01	4"	W46-64-64U*	1 1/4"	W46-20-20U	1 1/4"	W46-20-20U	3/4"	W46-12-12U
T67DDCS 00							1"	W46-16-16U
T67EDB	4"	W46-64-64U*	1 1/2"	W46-24-24U	1 1/4"	W46-20-20U	3/4"	W46-12-12U
T67EDC/S/M 01	4"	W46-64-64U*	1 1/2"	W46-24-24U	1 1/4"	W46-20-20U	3/4"	W46-12-12U
T67EDC/S/M 00							1"	W46-16-16U

\* These flanges may not be used above 500 psi  
All flanges are code 61.

## M Motor Flange Kit:

Model	Inlet Size	Outlet Size	NPT Part #	SAE Part #
25M	1.25"	1.25"	WF860885	W46-20-20U
35M	1.50"	1.50"	WF860454	W46-24-24U
45M	2.00"	2.00"	WF860862	W46-32-32U
50M	2.50"	2.50"	WF860691	W46-40-40U

## PVH Piston Pump Flange Kit:

Series	Inlet		P1	
	Size	Part #	Size	Part #
PVH057	2"	W46-32-32U	1"	W46-16-16U
PVH074	2"	W46-32-32U	1"	W46-16-16U
PVH098	2 1/2"	W46-40-40U	1"	W46-16-16U
PVH131*	2 1/2"	W46-40-40U	1 1/4"	W48-20-20U

\*Code 62

# VHO/VQ NPT Flange Kit:

Series	Inlet			P1			P2		
	Size	Part #	Description	Size	Part #	Description	Size	Part #	Description
20V	1 1/2"	WF860454	WFFL11212P10	3/4"	WF860789	WFFL1606P10	-	-	-
25V	1 1/2"	WF860454	WFFL11212P10	1"	WF860028	WFFL1808P10	-	-	-
30V	1 1/2"	WF860454	WFFL11212P10	1 1/4"	WF860885	WFFL11010P10	-	-	-
35V	2"	WF860862	WFFL11616P10	1 1/4"	WF860885	WFFL11010P10	-	-	-
45V	3"	WF860867	WFFL12424P10	1 1/2"	WF860454	WFFL11212P10	-	-	-
2520V	2 1/2"	WF860691	WFFL12020P10	1"	WF860028	WFFL1808P10	3/4"	WF860789	WFFL1606P10
3520V	3"	WF860867	WFFL12424P10	1 1/4"	WF860885	WFFL11010P10	3/4"	WF860789	WFFL1606P10
3525V	3"	WF860867	WFFL12424P10	1 1/4"	WF860885	WFFL11010P10	1"	WF860028	WFFL1808P10
4520V	3 1/2"	WF860864	WFFL12828P10	1 1/2"	WF860454	WFFL11212P10	3/4"	WF860789	WFFL1606P10
4525V	3 1/2"	WF860864	WFFL12828P10	1 1/2"	WF860454	WFFL11212P10	1"	WF860028	WFFL1808P10
4535V	4"	WF860865	WFFL13232P10	1 1/2"	WF860454	WFFL11212P10	1 1/4"	WF860885	WFFL11010P10

All flanges are SAE code 61

# AIOV Flange Kit:

Series	Inlet			P1		
	Size	NPT	SAE	Size	NPT	SAE
18	1"	W43-16-16U	W46-16-16U	3/4"	W43-12-12U	W46-12-12U
28	1 1/4"	W43-20-20U	W46-20-20U	3/4"	W43-12-12U	W46-12-12U
45	1 1/2"	W43-24-24U	W46-24-24U	1"	W43-16-16U	W46-16-16U
60/63	2"	W43-32-32U	W46-32-32U	1"	W43-16-16U	W46-16-16U
71	2"	W43-32-32U	W46-32-32U	1"	W43-16-16U	W46-16-16U
100	2 1/2"	W43-40-40U	W46-40-40U	1 1/4"	W44-20-20U*	W48-20-20U*
140	2 1/2"	W43-40-40U	W46-40-40U	1 1/4"	W44-20-20U*	W48-20-20U*

\* = SAE Code 62 Flange (all other flanges are SAE code 61)

All fixing bolts are UNC thread

**Call, email, chat...we're ready to help!**



31915 Groesbeck Highway • Fraser, Michigan 48026

PH: 1-586-296-7200 • FAX: 1-586-296-7210

Email: [sales@FluidyneFP.com](mailto:sales@FluidyneFP.com)

[www.FluidyneFP.com](http://www.FluidyneFP.com)

