

A10V Part Identifier

Model Code: _____

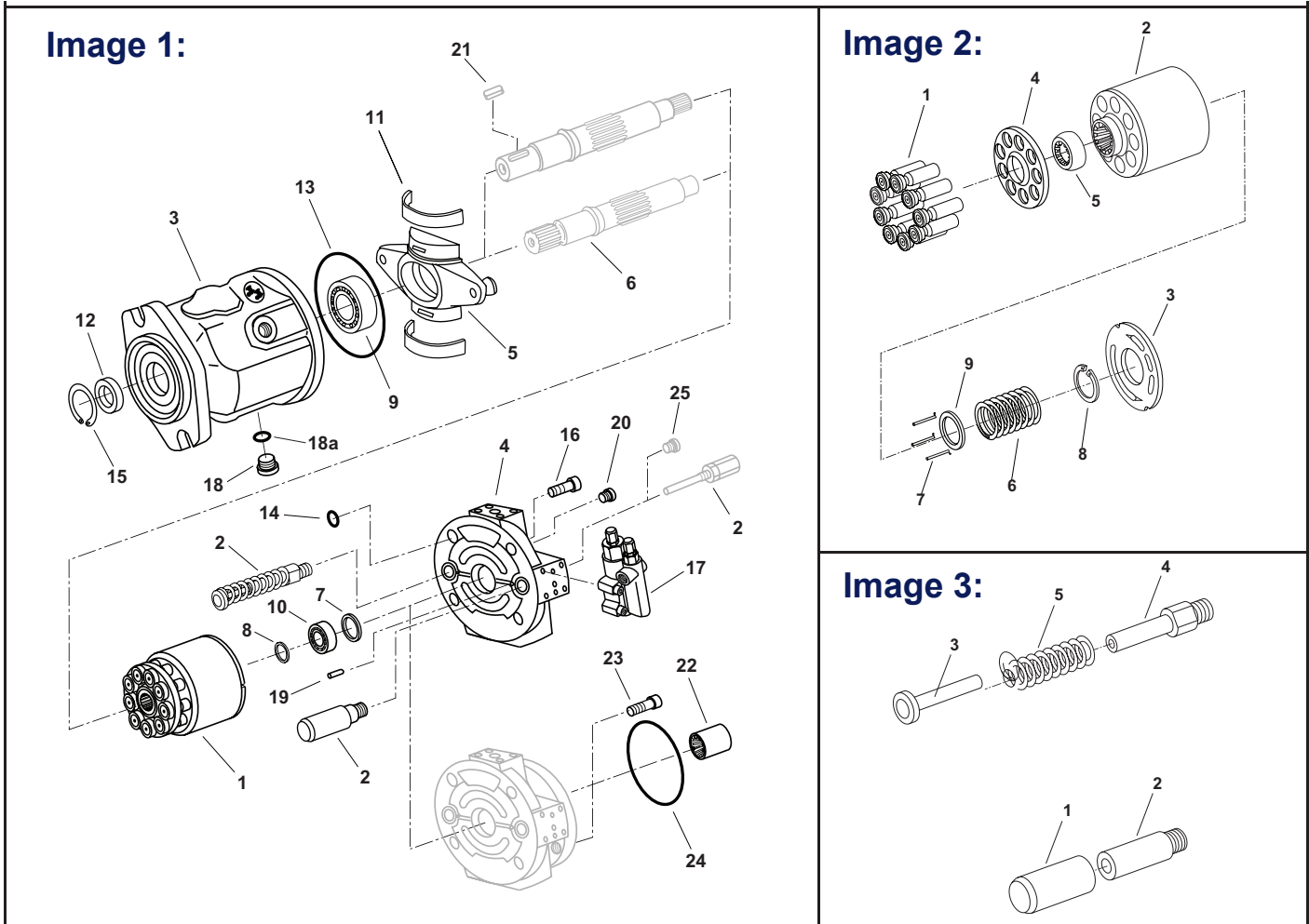


Image 1:

Part # 1: Rotating Group
 Part # 5: Cradle Assy
 Part # 9: Front Brg Assy
 Part # 13: O-Ring
 Part # 17: Comp
 Part # 21: Key
 Part # 25: Plug

Part # 2: Control Assy
 Part # 6: Shaft
 Part # 10: Rear Brg Assy
 Part # 14: O-Ring
 Part # 18: Plug 18A: O-Ring
 Part # 22: Coupling

Part # 3: Housing
 Part # 7: Washer
 Part # 11: Cradle Brg
 Part # 15: Snap Ring
 Part # 19: Dowel Pins
 Part # 23: Cap Screw

Part # 4: Valve Block
 Part # 8: Adjusting Disc
 Part # 12: Shaft Seal
 Part # 16: Cap Screws
 Part # 20: Plug
 Part # 24: O-Ring

Image 2:

Part # 1: Pistons
 Part # 5: Retaining Ball
 Part # 9: Retaining Ring

Part # 2: Barrel
 Part # 6: Spring

Part # 3: Lens Plate
 Part # 7: Pressure Pins

Part # 4: Retainer Plate
 Part # 8: Retaining Clip

Image 3:

Part # 1: Control Piston
 Part # 5: Spring

Part # 2: Piston Guide

Part # 3: Counter Piston

Part # 4: Piston Guide