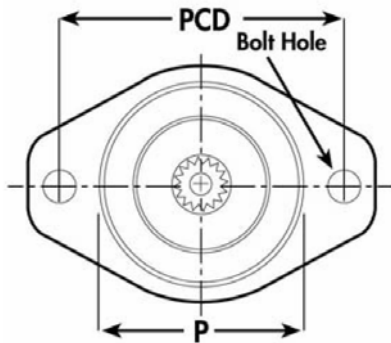


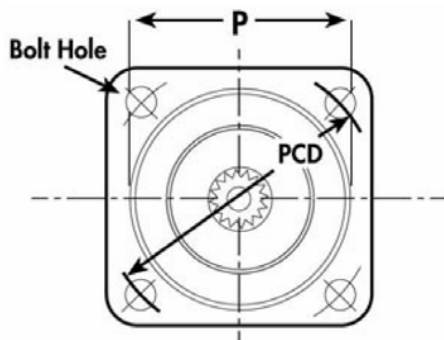
## SAE PUMP MOTOR MOUNTING FLANGES AND SHAFTS

### SAE TWO BOLT MOUNTING



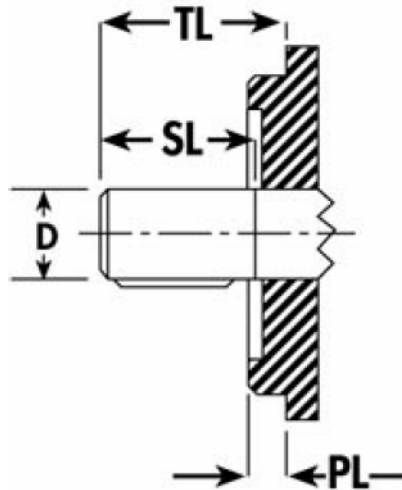
SAE CODE	PCD	Bolt Hole Diameter	(P) Pilot Diameter
AA	3.25	0.406	2.00
A	4.187	0.437	3.25
B	5.75	0.562	4.00
C	7.125	0.687	5.00
D	9.00	0.812	6.00
E	12.50	1.062	6.50

### SAE FOUR BOLT MOUNTING



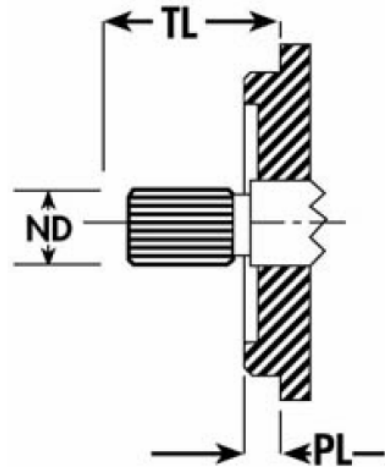
SAE CODE	PCD	Bolt Hole Diameter	(P) Pilot Diameter
B	5.000	0.562	4.00
C	6.375	0.562	5.00
D	9.000	0.812	6.00
E	12.500	1.062	6.50

## SAE STRAIGHT KEYED SHAFTS



SAE CODE	(D) Shaft Diameter	(SL) Shaft Length	(TL) Total Length	Key Width	Pilot Length
AA	0.500	0.750	1.062	0.125	0.250
A	0.625	0.937	1.250	0.156	0.250
AH	0.750	0.937	1.250	0.187	0.250
B	0.875	1.312	1.625	0.250	0.375
BB	1.000	1.500	1.812	0.250	0.375
C	1.250	1.875	2.187	0.312	0.500
CC	1.500	2.125	2.437	0.375	0.500
D	1.750	2.625	2.937	0.437	0.500
E	1.750	2.625	2.937	0.437	0.625

## SAE SPLINED SHAFTS



SAE CODE	(ND) Nominal Diameter	SPLINE DETAIL	(TL) Total Length
AA	0.500	9T	1.062
A	0.625	9T	1.250
AH	0.750	11T	1.250
B	0.875	13T	1.625
BB	1.000	15T	1.812
C	1.250	14T	2.187
CC	1.500	17T	2.437
D	1.750	13T	2.937
E	1.750	13T	2.937