



Fluidyne™
FLUID POWER

Aluminum Gear Pumps & Motors: Group 1, 2 & 3

- High Pressure
- Cost-Effective Performance
- Wide Range of Displacements
- Mobile & Industrial Applications
- 18 Month Warranty



www.FluidyneFP.com

Our People Make the Difference

Our promise at FluiDyne is to provide the fluid power industry with high quality, fully tested and technically supported hydraulic pumps, motors and valves. We understand and value the local service and support provided by repair shops, resellers and distributors to the OEM's and users of fluid power applications. We do not compete with our customers, but rather we partner with them. FluiDyne supports the channels of distribution that contribute to our partners' success.

Our strength is our people. We focus on personal development and a long term commitment to our staff. We recognize knowledgeable people are a valuable part of the service a business organization provides. We stress a commitment to learning and customer support at every level of the FluiDyne organization. Accounting, Customer Service, Engineering, Inventory, Marketing, Management, Manufacturing, Quality and Shipping all work together to serve our customer. We believe in treating everyone inside and outside the company with professionalism and respect.

Application and technical support for our products is easily accessible, and we pride ourselves in not having a switchboard or phone tree. The person, who picks up the phone, helps the customer. We like it simple, we like it direct. Our inventory is extensive and our people are skilled at assembly, modifications and testing. Our product leaves the factory fast (often the same day) and it leaves correct, tested and documented.

Call, email or visit our website to learn more about FluiDyne. Our products and people make us special.

- **18 month warranty**
- **Blind drop shipments**
- **Custom proprietary software allows immediate and accurate technical support, quoting, order entry and bill of material information**
- **Extensive Michigan inventory**
- **ISO Certified 9001:2008**
- **New FluiDyne and remanufactured products**
- **Outstanding customer service**
- **Performance you have come to expect**
- **Same day shipments**
- **Standard and modified products**
- **Multiple test stands which allow for quick 100% testing of all units shipped**



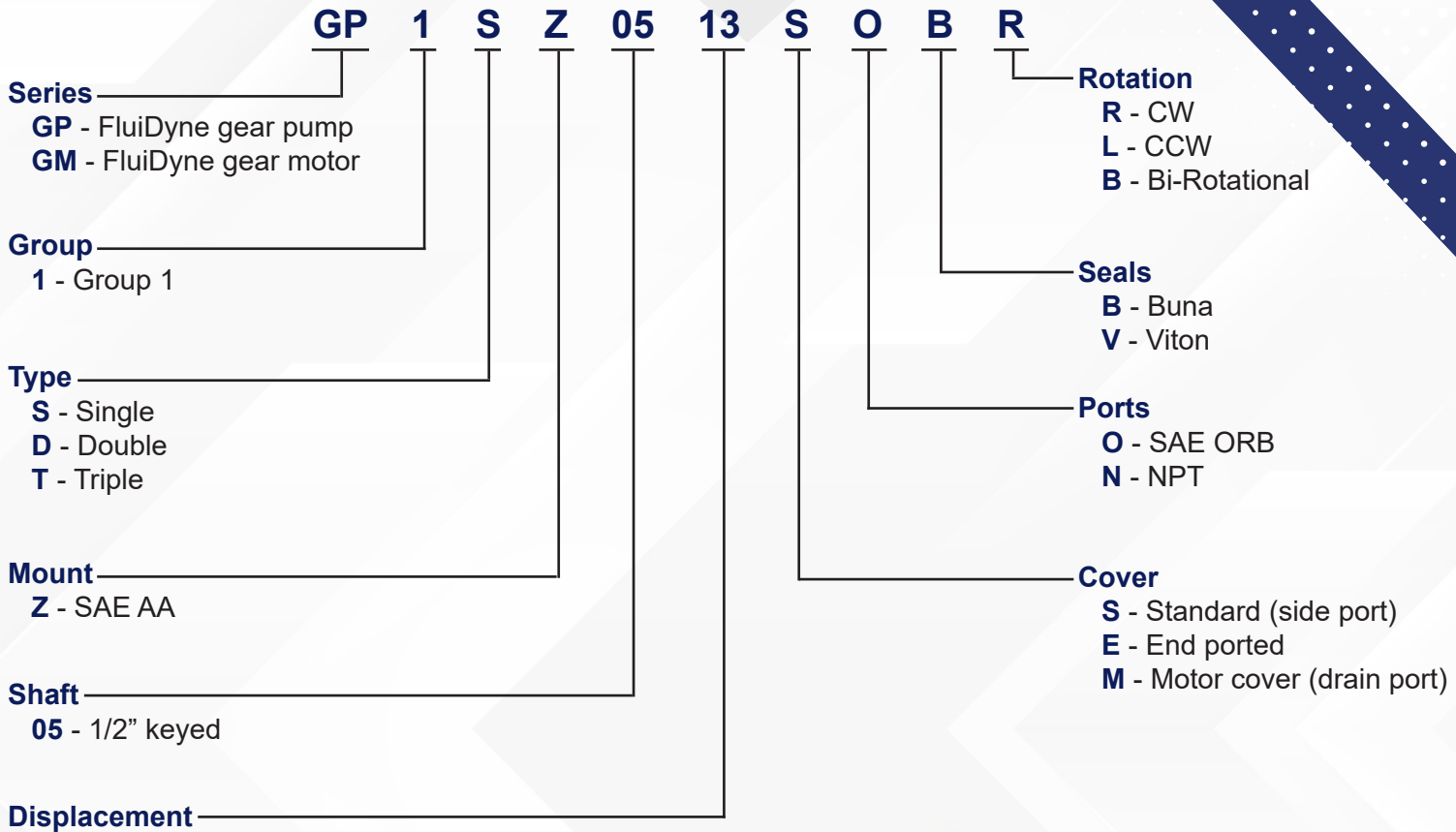
**Visit our Website
to learn more about
what makes us so
great!**



THE FPDA
MOTION & CONTROL NETWORK
MEMBER

www.FluiDyneFP.com

Group I Model Code Breakdown

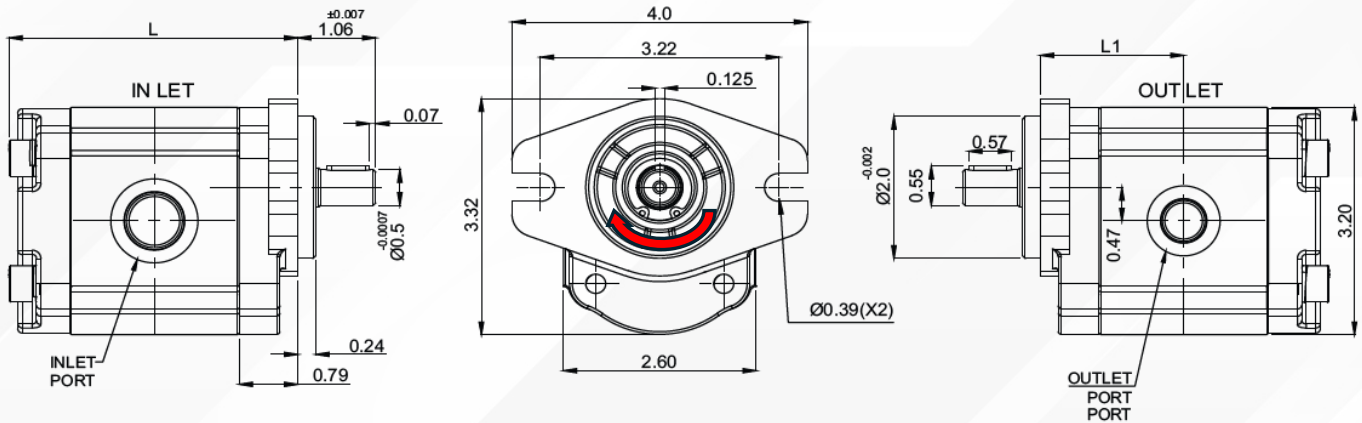


Size	cc	in ³
13	1.30	0.08
02	2.00	0.12
27	2.70	0.16
34	3.40	0.21
04	4.10	0.25
05	5.10	0.31
06	6.10	0.37
08	8.00	0.49



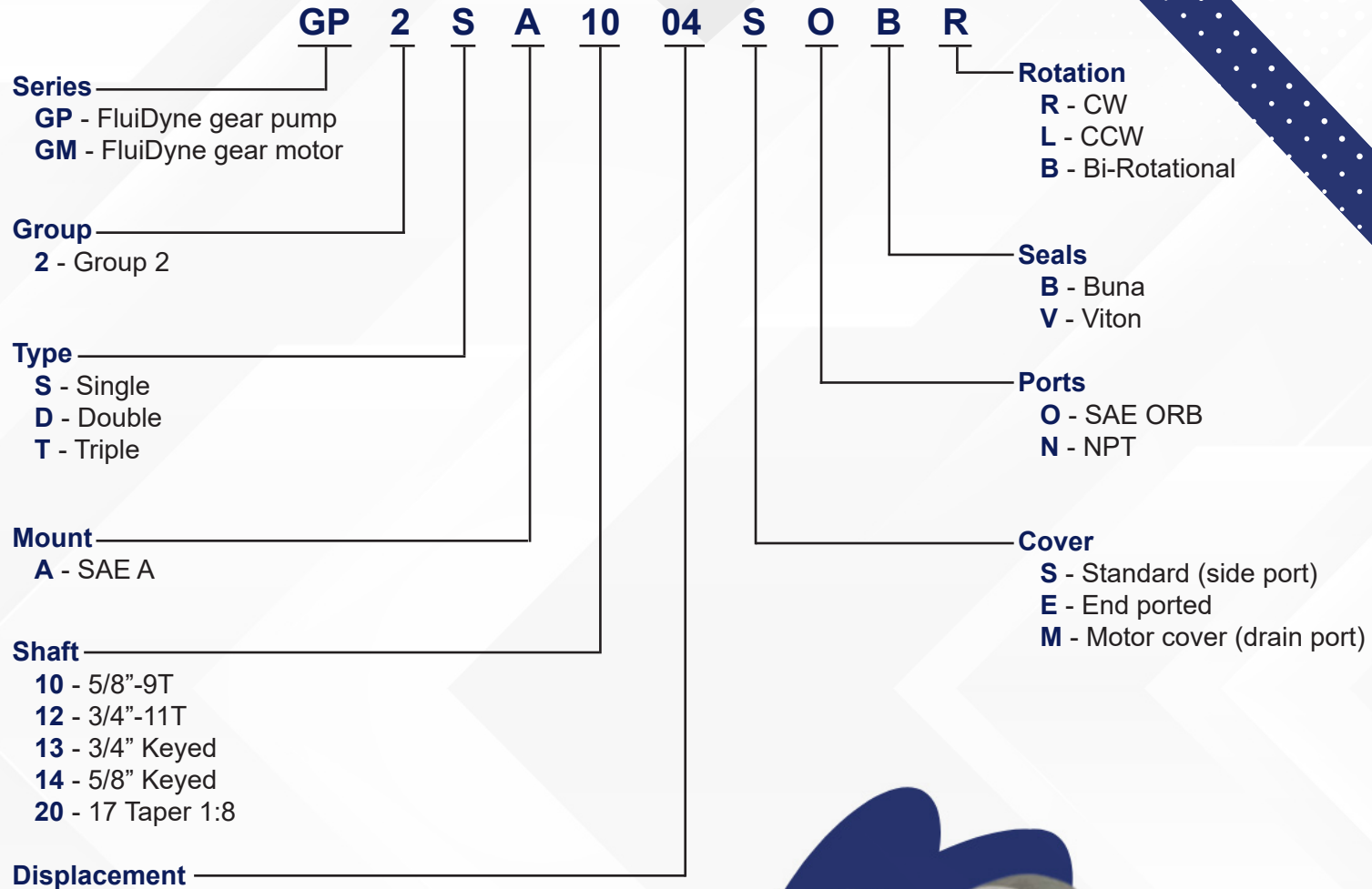
Group I Technical Specifications

Material	Extruded Al housing, cast cover plates, hardened steel shaft
Mount	SAE AA 2-Bolt
Ports	SAE ORB Side Ports
Seals	Buna Standard, Viton available
Max Pressure	3625 PSI (varies with displacement)
Max RPM	3600 RPM
Temperature Range	-4°F to 170°F



Model Series	Displacement cc (IN ³)/rev.	Flow (GPM) at 1800 RPM	Max. Pressure PSI	Max. Speed RPM	Inlet Port	Outlet Port	Dimensions	
							L	L1
Group 1	1.3 (0.07)	0.61	3625	3600	SAE #8	SAE #6	3.34	1.65
	2.0 (0.12)	0.95					3.43	1.70
	2.7 (0.16)	1.27					3.51	1.73
	3.4 (0.20)	1.61					3.59	1.77
	4.1 (0.25)	1.94					3.66	1.81
	5.1 (0.31)	2.42					3.78	1.87
	6.1 (0.37)	2.90					3.90	1.93
	8.0 (0.48)	3.80					4.12	2.01

Group 2 Model Code Breakdown

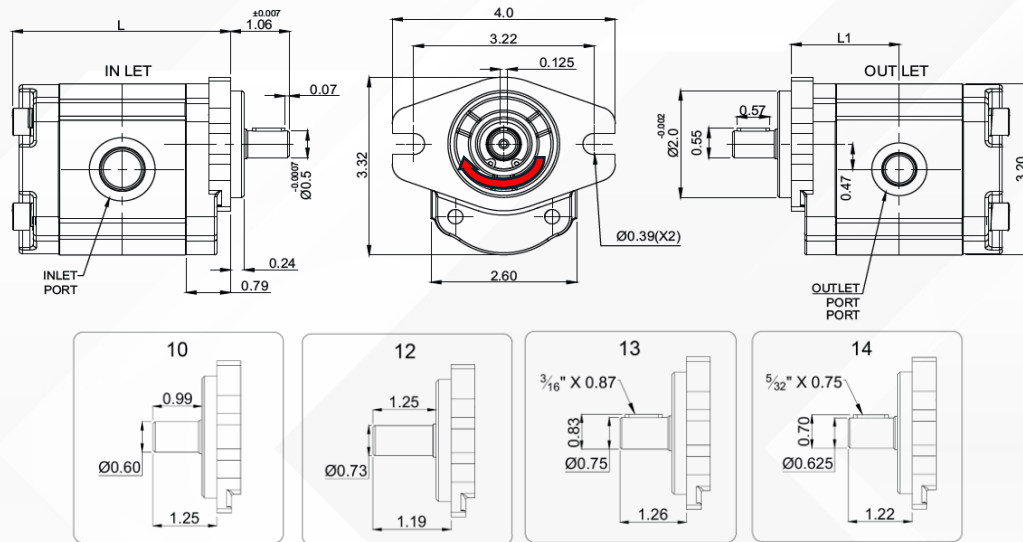


Size	cc	in ³
04	4.0	0.24
06	6.0	0.37
08	8.0	0.49
10	10.0	0.61
12	12.0	0.73
14	14.0	0.85
16	16.0	0.98
20	20.0	1.22
22	22.0	1.34
25	25.0	1.53
30	30.0	1.83
32	32.0	1.95



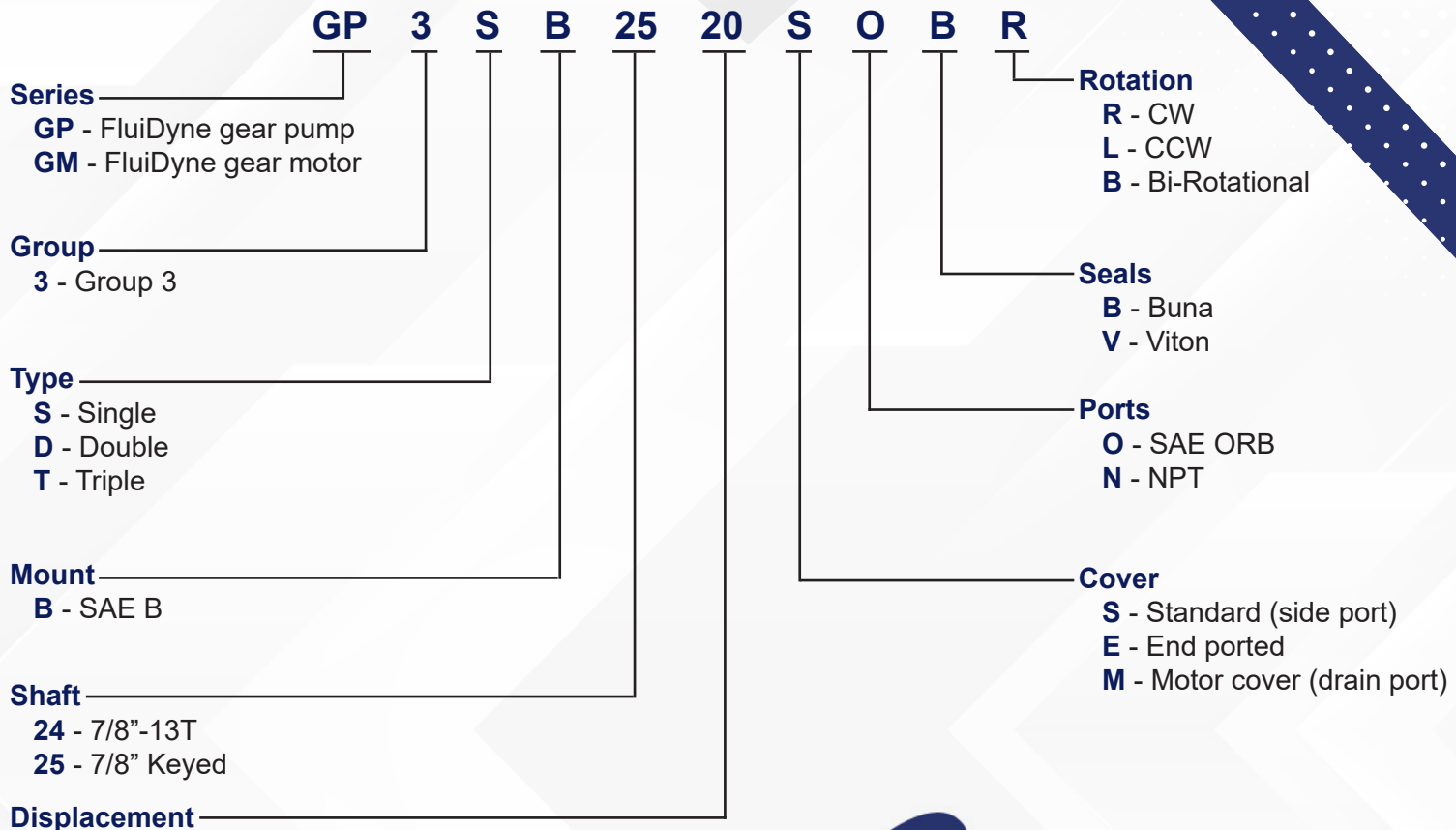
Group 2 Technical Specifications

Material	Extruded Al housing, cast cover plates, hardened steel shaft
Mount	SAE A 2-Bolt
Ports	SAE ORB Side Ports
Seals	Buna Standard, Viton available
Max Pressure	3625 PSI (varies with displacement)
Max RPM	3600 RPM
Temperature Range	-4°F to 170° F



Model Series	Displacement cc (IN ³)/rev.	Flow (GPM) at 1800 RPM	Max. Pressure PSI	Max. Speed RPM	Inlet Port	Outlet Port	Dimensions	
							L	L1
Group 2	4 (0.24)	1.90	3650	3600	SAE #12	SAE #10	3.97	1.69
	6 (0.36)	2.85					4.11	1.76
	8 (0.48)	3.80					4.24	1.85
	10 (0.61)	4.75					4.37	1.88
	12 (0.73)	5.70					4.50	1.96
	14 (0.85)	6.65	2900		4.62	2.00		
	16 (0.97)	7.60			4.73	2.07		
	20 (1.22)	9.50			4.97	2.20		
	25 (1.52)	11.88			5.27	2.36		
	30 (1.83)	14.25			5.56	2.51		
32 (1.95)	15.21	5.66	2.87					

Group 3 Model Code Breakdown

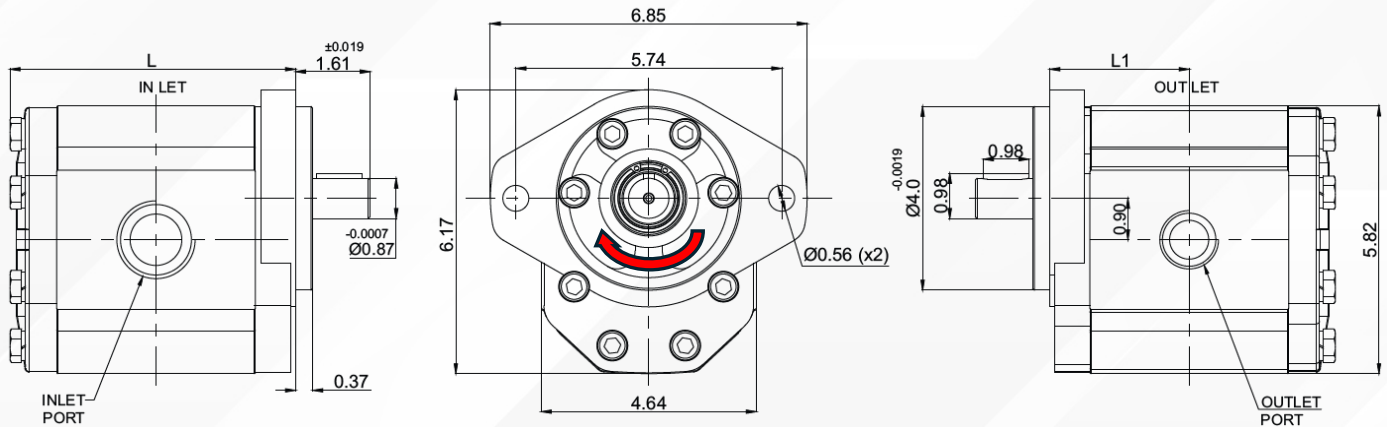


Size	cc	in ³
20	20.0	1.22
22	22.5	1.37
25	25.0	1.53
28	28.0	1.71
32	32.0	1.95
36	36.0	2.20
42	42.0	2.56
46	46.0	2.81
50	50.0	3.05
55	55.0	3.36
60	60.0	3.66




Group 3 Technical Specifications

Material	Extruded Al housing, cast cover plates, hardened steel shaft
Mount	SAE B 2-Bolt
Ports	SAE ORB Side Ports
Seals	Buna Standard, Viton available
Max Pressure	3625 PSI (varies with displacement)
Max RPM	3600 RPM (varies with displacement)
Temperature Range	-4°F to 170° F



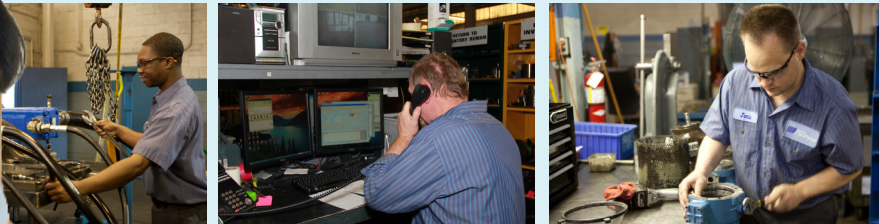
Model Series	Displacement cc (IN ³)/rev.	Flow (GPM) at 1800 RPM	Max. Pressure PSI	Max. Speed RPM	Inlet Port	Outlet Port	Dimensions	
							L	L1
Group 3	20 (1.22)	9.50	3625	3000	SAE #16	SAE #12	4.65	2.20
	22.5 (1.37)	10.69					4.77	2.26
	25 (1.52)	11.88					4.84	2.29
	28 (1.70)	13.30					4.96	2.37
	32 (1.95)	15.21					5.55	2.61
	36 (2.19)	17.11	5.71	2.67				
	42 (2.56)	19.96	3335	2500			5.93	2.78
	46 (2.80)	21.87		2300			6.10	2.86
	50 (3.05)	23.77		2100			6.26	2.93
	55 (3.35)	26.15	2900	1750			6.42	3.01
	60 (3.66)	28.52					2610	6.62



Fluidyne supports the distributors providing local knowledge and assistance to fluid power customers.

Our people provide extensive support:

- Engineering Expertise
- Decoding special part numbers
- Identification of parts within units
- Advice on component repair and assembly
- Component failure analysis
- 18 month warranty
- New application component selection
- Same day shipment



Reman Units & Parts Available for Racine, Oilgear, Bosch, Continental and More!

Powered by Customer Service!

Call, email, chat...we're ready to help!



31915 Groesbeck Highway • Fraser, Michigan 48026
PH: 1-586-296-7200 • FAX: 1-586-296-7210
Email: sales@FluidyneFP.com

www.FluidyneFP.com

For most recent brochure, and information on our other products please visit www.fluidynefp.com



Fluidyne Contact
Info and Website

